

PRODUCT INFORMATION PACKET



Model No: BLM156
Catalog No: BLM156
3/4 HP General Purpose Motor, 1 phase, 1800 RPM, 115/230 V, 56 Frame, TENV
Single Phase TENV Motors



Regal and Century are trademarks of Regal Beloit Corporation or one of its affiliated companies.

©2021 Regal Beloit Corporation, All Rights Reserved. MC017097E





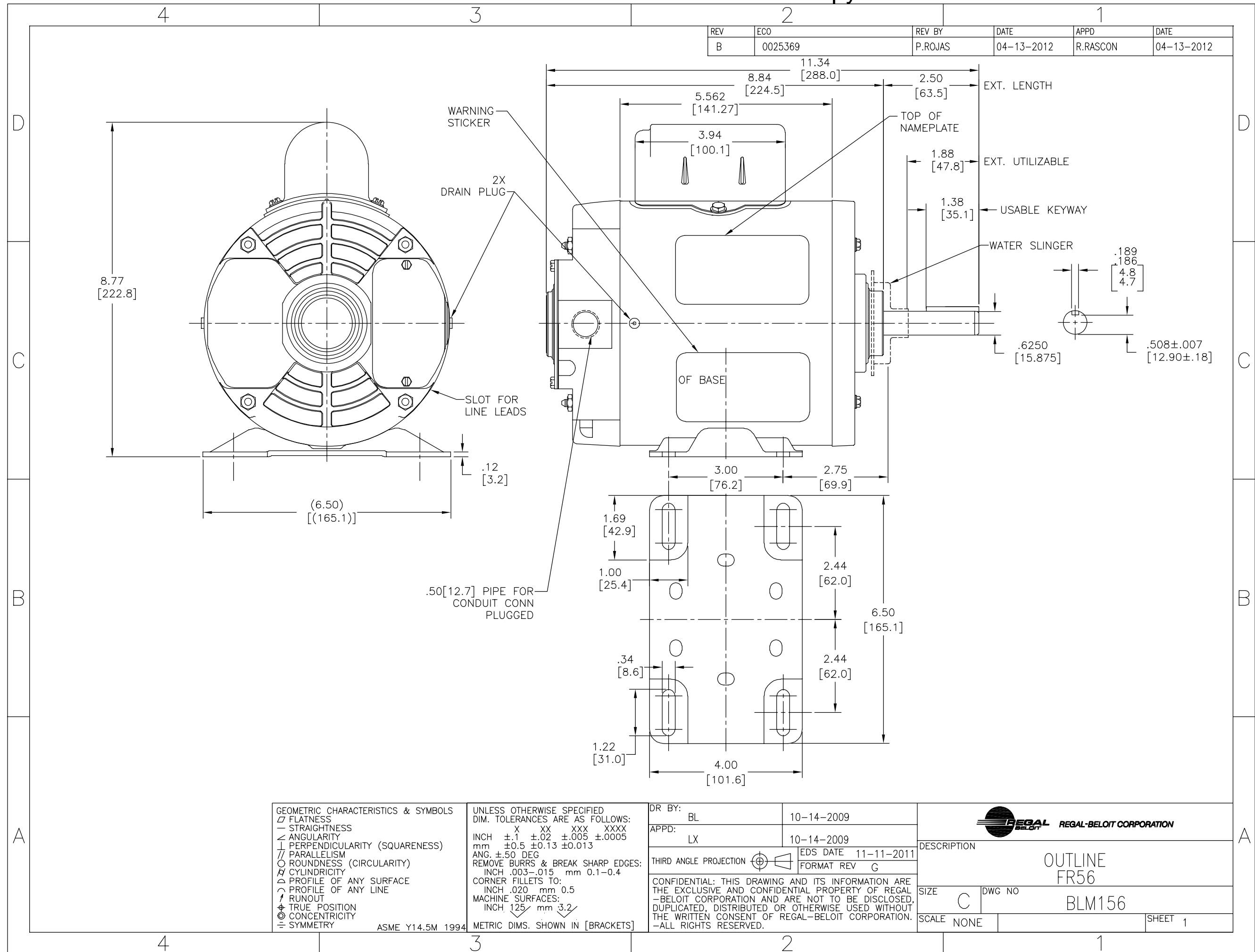
Nameplate Specifications

| | | | |
|--------------------|---------------------|---------------------|--|
| Output HP | 3/4 Hp | Output KW | 0.56 kW |
| Frequency | 60 Hz | Voltage | 115/230 V |
| Current | 12.2/6.1 A | Speed | 1725 rpm |
| Service Factor | 1.25 | Phase | 1 |
| Duty | S2-15 Minute | Insulation Class | B |
| Frame | 56 | Enclosure | Totally Enclosed Non Ventilated |
| Thermal Protection | None | Ambient Temperature | 40 °C |
| UL | Recognized | CSA | Y |
| CE | N | | |

Technical Specifications

| | | | |
|-----------------------|--------------------------------------|-------------------|------------------------|
| Electrical Type | Capacitor Start Induction Run | Starting Method | Across The Line |
| Poles | 4 | Rotation | Reversible |
| Mounting | Rigid Base | Drive End Bearing | Ball |
| Opp Drive End Bearing | Ball | Frame Material | Rolled Steel |
| Shaft Type | Keyed | Overall Length | 11.34 in |
| Frame Length | 5.69 in | Shaft Diameter | 0.625 in |
| Shaft Extension | 2.5 in | | |
| Connection Drawing | 620005-044 | Outline Drawing | BLM156-S01 |

This is an uncontrolled document once printed or downloaded and is subject to change without notice. Date Created:05/02/2021



| | | | | | |
|-----|---------|---------|------------|----------|------------|
| REV | ECO | REV BY | DATE | APPD | DATE |
| B | 0025369 | P.ROJAS | 04-13-2012 | R.RASCON | 04-13-2012 |

GEOMETRIC CHARACTERISTICS & SYMBOLS

- FLATNESS
- STRAIGHTNESS
- ∠ ANGULARITY
- ⊥ PERPENDICULARITY (SQUARENESS)
- ∥ PARALLELISM
- ROUNDNESS (CIRCULARITY)
- ⊘ CYLINDRICITY
- △ PROFILE OF ANY SURFACE
- ∩ PROFILE OF ANY LINE
- ↗ RUNOUT
- ⊕ TRUE POSITION
- ◎ CONCENTRICITY
- ≡ SYMMETRY

ASME Y14.5M 1994

UNLESS OTHERWISE SPECIFIED DIM. TOLERANCES ARE AS FOLLOWS:

INCH X XX XXX XXXX
 mm ±0.5 ±0.13 ±0.013

ANG. ±.50 DEG
 REMOVE BURRS & BREAK SHARP EDGES:
 INCH .003-.015 mm 0.1-0.4

CORNER FILLETS TO:
 INCH .020 mm 0.5

MACHINE SURFACES:
 INCH 125 mm 3.2

METRIC DIMS. SHOWN IN [BRACKETS]

DR BY: BL 10-14-2009

APPD: LX 10-14-2009

THIRD ANGLE PROJECTION

EDS DATE 11-11-2011
 FORMAT REV G

CONFIDENTIAL: THIS DRAWING AND ITS INFORMATION ARE THE EXCLUSIVE AND CONFIDENTIAL PROPERTY OF REGAL-BELOIT CORPORATION AND ARE NOT TO BE DISCLOSED, DUPLICATED, DISTRIBUTED OR OTHERWISE USED WITHOUT THE WRITTEN CONSENT OF REGAL-BELOIT CORPORATION. -ALL RIGHTS RESERVED.

REGAL-BELOIT CORPORATION

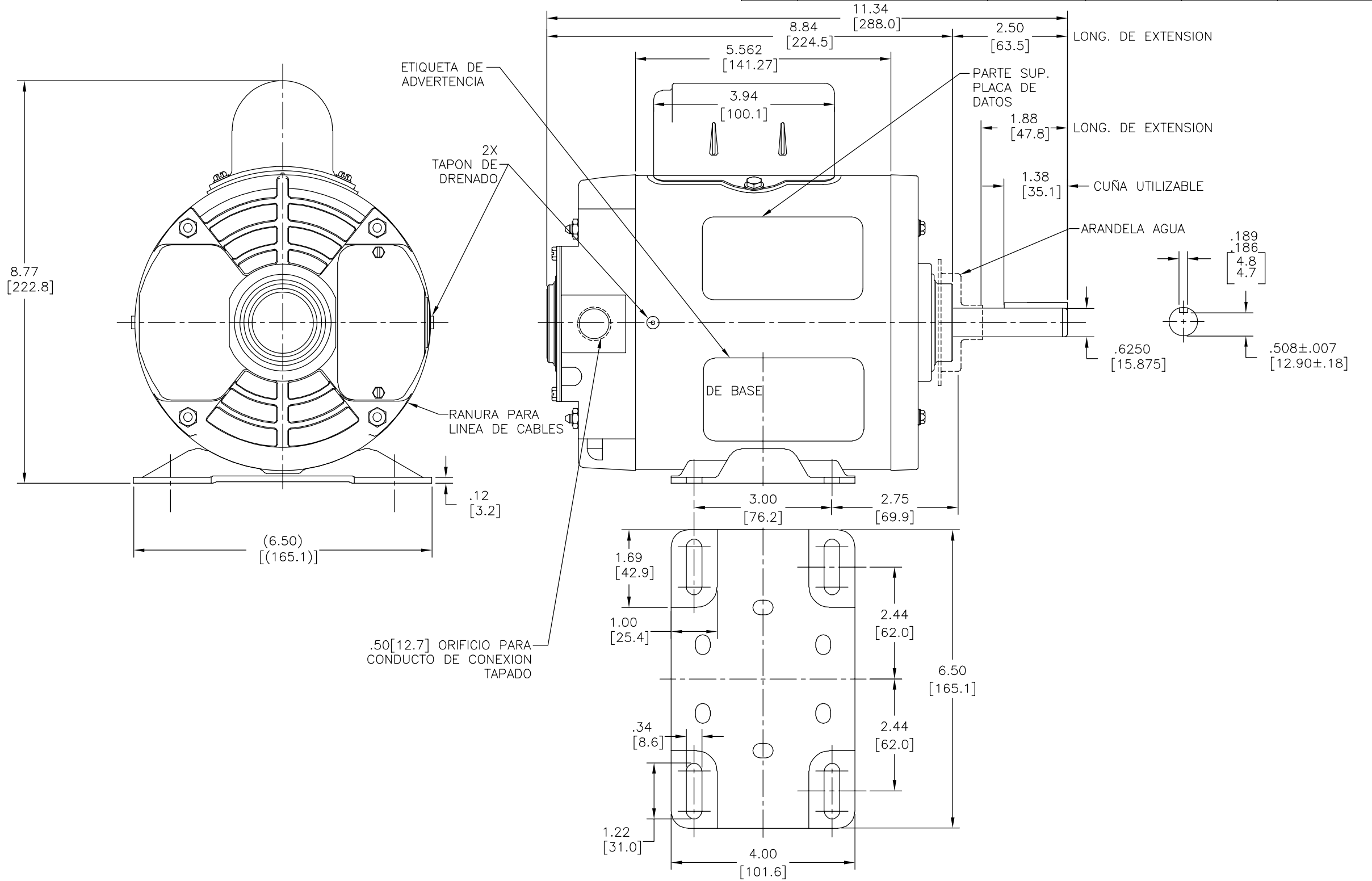
DESCRIPTION: **OUTLINE FR56**

SIZE: C DWG NO: BLM156

SCALE: NONE SHEET: 1

4 3 2 1

| | | | | | |
|-----------|---------|---------------|------------|---------------|------------|
| REVISION: | ECO | REVISADO POR: | FECHA: | APROBADO POR: | FECHA: |
| B | 0025369 | P.ROJAS | 04-13-2012 | R.RASCON | 04-13-2012 |



CARACTERISTICAS DE GEOMETRIA Y SIMBOLOS

- PLANICIDAD
- RECTITUD
- ∠ ANGULARIDAD
- ⊥ PERPENDICULARIDAD (A ESCUADRA)
- // PARALELISMO
- REDONDEZ (CIRCULARIDAD)
- ⊘ CILINDRICIDAD
- △ PERFIL DE CUALQUIER SUPERFICIE
- ∧ PERFIL DE CUALQUIER LINEA
- ∧ VARIACION
- ⊕ POSICION REAL
- ◎ CONCENTRICIDAD
- = SIMETRIA

ASME Y14.5M 1994

A MENOS QUE SE ESPECIFIQUE DE OTRA MANERA, LAS TOLERANCIAS DE LAS DIMS; SON LAS SIGUIENTES:

PULG ±.1 ±.02 ±.005 ±.0005
 mm ±0.5 ±0.13 ±0.013

ANG. ±.50 GRADOS

ELIMINAR REBABAS Y ORILLAS FILOSAS DEL BORDE.

PULG .003-.015 mm 0.1-0.4

FILETEAR ESQUINA: PULG .020 mm 0.5

MAQUINAR SUPERFICIES

PULG 125 mm .32

DIMS METRICAS MOSTRADAS [PARENTESIS]

DIBUJADO POR: BL 10-14-2009

APROBADO POR: LX 10-14-2009

TERCER ANGULO DE PROYECCION

FECHA EDS: 11-11-2011

REV. FORMATO: G

CONFIDENCIAL: ESTE DIBUJO Y SU INFORMACION SON PROPIEDAD DE USO EXCLUSIVO Y CONFIDENCIAL DE REGAL-BELOIT CORPORATION. Y NO DEBERAN SER REVELADOS, DUPLICADOS, DISTRIBUIDOS O USARSE DE OTRA MANERA SIN EL CONSENTIMIENTO ESCRITO DE REGAL-BELOIT CORPORATION. -TODOS LOS DERECHOS RESERVADOS.

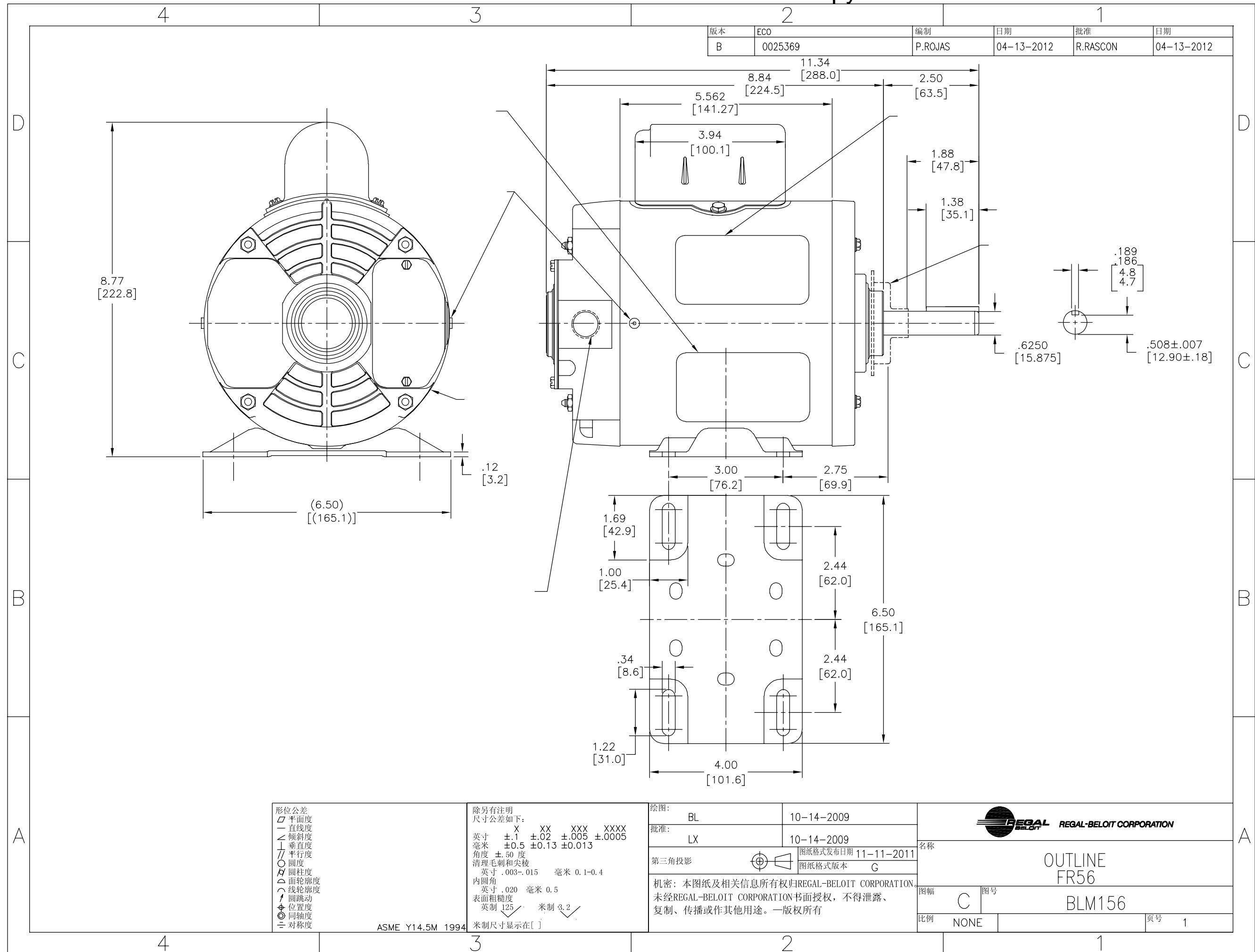
REGAL-BELOIT CORPORATION

DESCRIPCION: OUTLINE FR56

TAMAÑO: C NUMERO DE DIBUJO: BLM156

ESCALA: NONE HOJA: 1

4 3 2 1



| | | | | | |
|----|---------|---------|------------|----------|------------|
| 版本 | ECO | 编制 | 日期 | 批准 | 日期 |
| B | 0025369 | P.ROJAS | 04-13-2012 | R.RASCON | 04-13-2012 |

| | |
|--------|--------------------------|
| 形位公差 | 除另有注明 |
| □ 平面度 | 尺寸公差如下: |
| — 直线度 | 英寸 X XX XXX XXXX |
| ∠ 倾斜度 | 英寸 ±.1 ±.02 ±.005 ±.0005 |
| ⊥ 垂直度 | 毫米 ±0.5 ±0.13 ±0.013 |
| ∥ 平行度 | 角度 ±.50 度 |
| ○ 圆度 | 清理毛刺和尖棱 |
| ⊘ 圆柱度 | 英寸 .003-.015 毫米 0.1-0.4 |
| △ 面轮廓度 | 内圆角 |
| ∩ 线轮廓度 | 英寸 .020 毫米 0.5 |
| ↗ 圆跳动 | 表面粗糙度 |
| ⊕ 位置度 | 英制 125 米制 3.2 |
| ⊙ 同轴度 | 米制尺寸显示在 [] |
| ≡ 对称度 | |

| | |
|------------------|-------------|
| ASME Y14.5M 1994 | 米制尺寸显示在 [] |
|------------------|-------------|

| | | |
|--|----|---------------------------------|
| 绘图: | BL | 10-14-2009 |
| 批准: | LX | 10-14-2009 |
| 第三角投影 | | 图纸格式发布日期 11-11-2011 图纸格式版本 G |
| 机密: 本图纸及相关信息所有权归REGAL-BELOIT CORPORATION. 未经REGAL-BELOIT CORPORATION书面授权, 不得泄露、复制、传播或作其他用途。—版权所有 | | |

| | |
|----|--------------|
| | |
| 名称 | OUTLINE FR56 |
| 图幅 | C |
| 图号 | BLM156 |
| 比例 | NONE |
| 页号 | 1 |