

PRODUCT INFORMATION PACKET

Model No: 182TTFW16085

Catalog No: K700A

General Purpose Motors, TEFC, 1.5 HP, 3 Ph, 60 Hz, 230/460 V, 1170 RPM, 182TC

General Purpose Motors



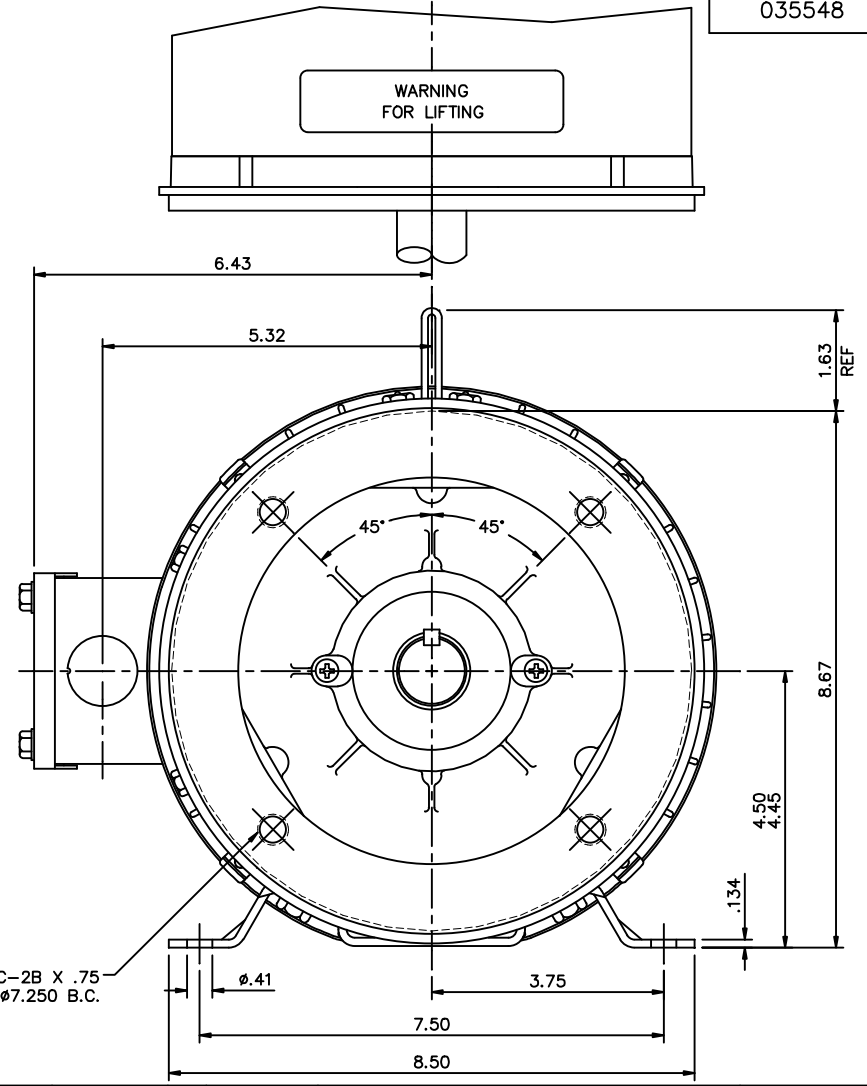
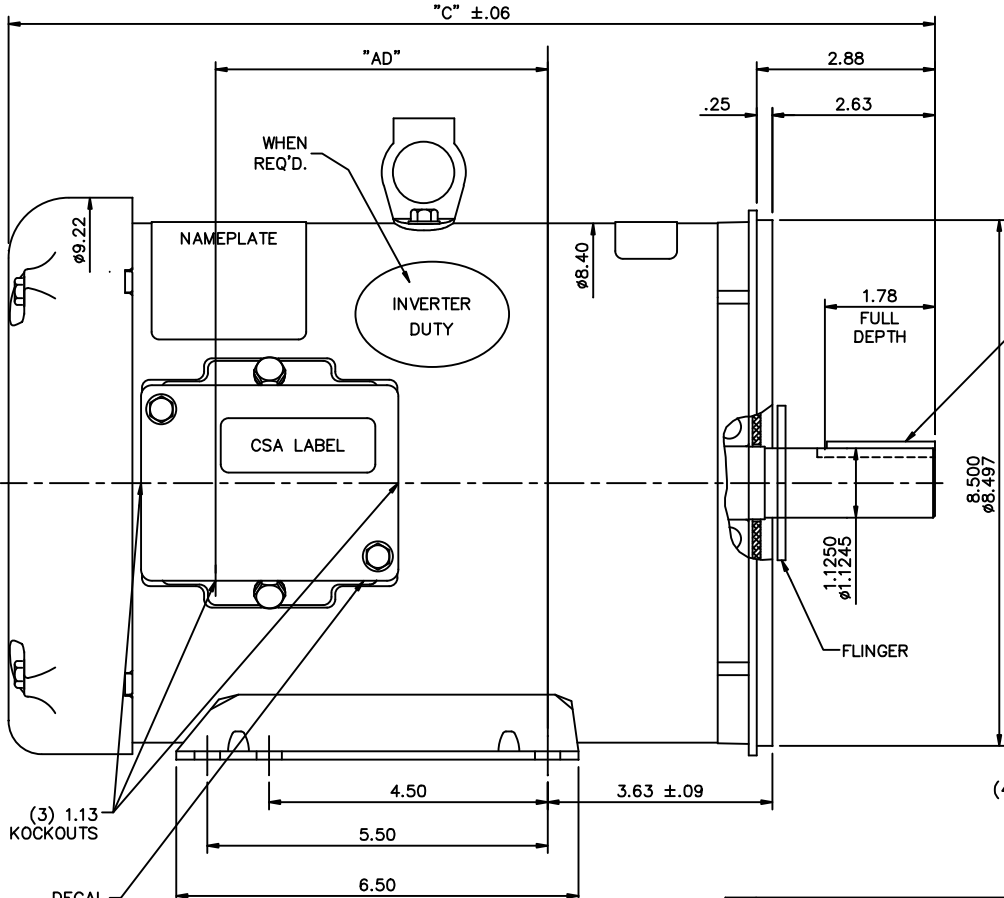


Nameplate Specifications

Output HP	1.50 Hp	Output KW	1.1 kW
Frequency	60 Hz	Voltage	230/460 V
Current	6.0/3.0 A	Speed	1170 rpm
Service Factor	1	Phase	3
Efficiency	87.5 %	Power Factor	62
Duty	Continuous	Insulation Class	F
Design Code	B	KVA Code	K
Frame	182TC	Enclosure	Totally Enclosed Fan Cooled
Thermal Protection	No	Ambient Temperature	40 °C
Drive End Bearing Size	6206	Opp Drive End Bearing Size	6205
UL	Recognized	CSA	Y
CE	Y	IP Code	43
Number of Speeds	1		

Technical Specifications

Electrical Type	Squirrel Cage Induction Run	Starting Method	Across The Line
Poles	6	Rotation	Reversible
Resistance Main	0 Ohms	Mounting	Bolt-on Base
Motor Orientation	Horizontal	Drive End Bearing	Ball
Opp Drive End Bearing	Ball	Frame Material	Rolled Steel
Shaft Type	T	Overall Length	14.47 in
Frame Length	9.00 in	Shaft Diameter	1.125 in
Shaft Extension	2.88 in	Assembly/Box Mounting	F1 ONLY
Outline Drawing	035548-900	Connection Drawing	005010.01ME



(3) 1.13 KOCKOUTS
 DECAL CONNECTION UNDER COVER

MAXIMUM FACE RUNOUT TO BE .004 T.I.R.
 MAXIMUM PILOT ECCENTRICITY TO BE .004 T.I.R.
 PERMISSIBLE SHAFT RUNOUT TO BE .002 T.I.R.

DASH NO.	"C"	"AD"
850	13.97	4.37
900	14.47	4.87
950	14.97	5.37
1000	15.47	5.87
1050	15.97	6.37
1100	16.47	6.87
1150	16.97	7.37

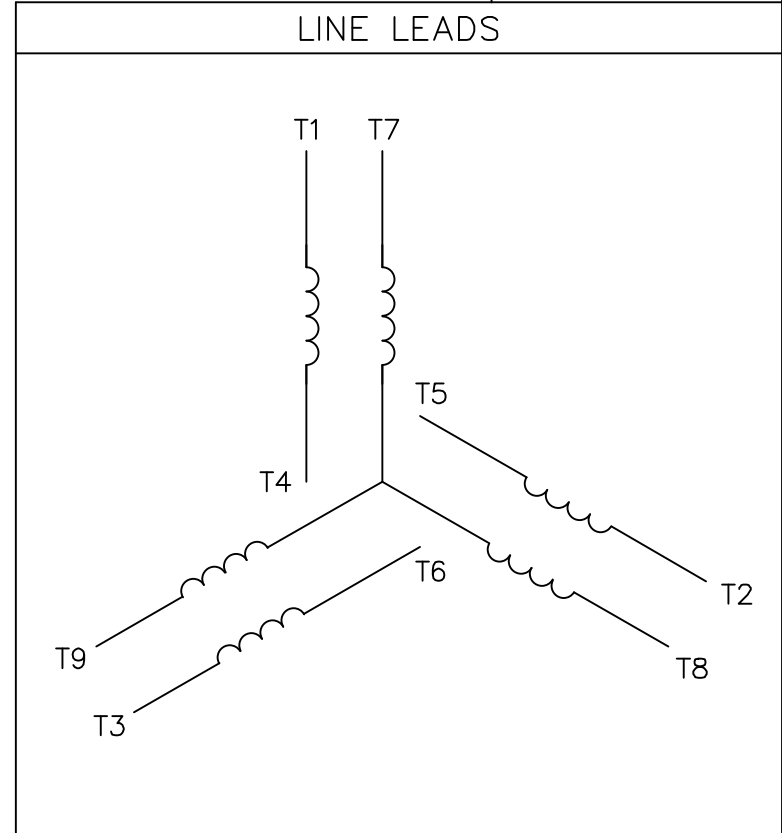
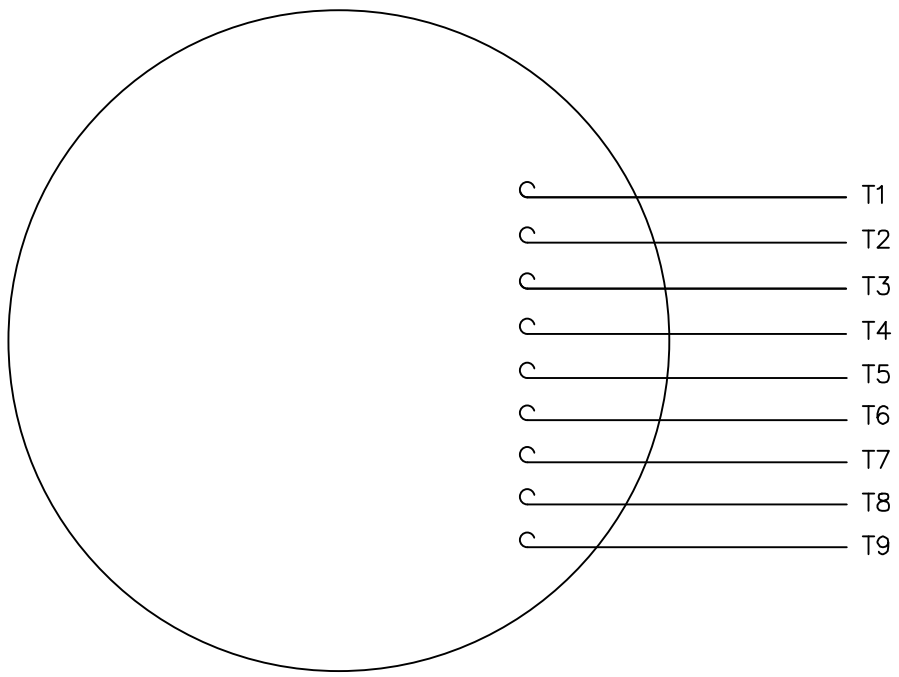
(4) 1/2-13 UNC-2B X .75 DEEP ON A Ø7.250 B.C.

REVISION		BY & DATE	CHK	ANG	±1/2'	FINISH	SIZE	DRAWING NO.	REV.
01	ADD CSA DECAL PER ISAAC 11-1477	LST 3/29/11					B	035548	01

TOLERANCES UNLESS SPECIFIED		MARATHON ELECTRIC		DRAWN VV 08/14/07	
DEC.	INCHES	TITLE		CHK	RDW 09/10/07
.X	±.1	OUTLINE - 180TC FRAME		APPD	
.XX	±.03	TEFC - RIGID "C"		SCALE	1=2
.XXX	±.005	BOLT-ON BASE		REF	035469
.XXXX	±.0005			FMF	
RFP		CAD FILE		035548	
DIST	NLV				

THIS DRAWING IN DESIGN AND DETAIL IS OUR PROPERTY AND MUST NOT BE USED EXCEPT IN CONNECTION WITH OUR WORK ALL RIGHTS OF DESIGN AND INVENTION ARE RESERVED THIS IS AN ELECTRONICALLY GENERATED DOCUMENT - DO NOT SCALE THIS PRINT

VIEW FROM OUTSIDE OF MOTOR AT SWITCH END.



VOLTAGE	L1	L2	L3	JOIN & INSULATE
HIGH	T1	T2	T3	(T4,T7) (T5,T8) (T6,T9)
LOW	T1,T7	T2,T8	T3,T9	T4,T5,T6

		TOLERANCES UNLESS SPECIFIED		DRAWN RDW 04/12/02						
		DEC.	INCHES	CHK						
		.X	±.1	APPD						
		.XX	±.01	SCALE 1=1						
		.XXX	±.005	REF FIG.2-51						
		.XXXX	±.0005	FMF						
NO.	REVISION	BY & DATE	CHK	ANG	±1/2'	FINISH	PREV			
			RFP	04/12/02		CAD FILE	00501001ME	SIZE	DRAWING NO.	REV.
			DIST					A	005010-01ME	



TITLE EXTERNAL WIRING DIAGRAM
3 PHASE W/O PROTECTOR
MAT'L. DECAL - 004014

THIS DRAWING IN DESIGN AND DETAIL IS OUR PROPERTY AND MUST NOT BE USED EXCEPT IN CONNECTION WITH OUR WORK ALL RIGHTS OF DESIGN AND INVENTION ARE RESERVED THIS IS AN ELECTRONICALLY GENERATED DOCUMENT - DO NOT SCALE THIS PRINT

Data Sheet

Date: 6/19/2017

182TFW16085

Customer: _____

Attention: _____

Submitted by: FAREEDA DUDEKULA



Submittal

Data @ 460 V

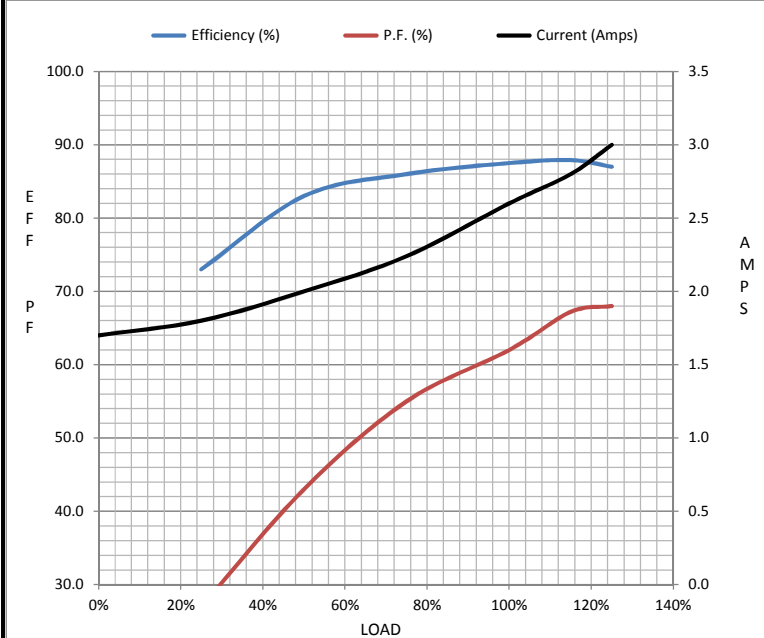
Motor Load Data

Load	0%	25%	50%	75%	100%	115%	125%	LR
Current (Amps)	1.70	1.80	2.00	2.24	2.60	2.80	3.0	15.2
Torque (ft-lb)	0.00	1.65	3.3	5.0	6.7	7.8	8.5	11.0
RPM	1200	1195	1190	1185	1175	1,175	1170	0
Efficiency (%)		73.0	83.0	86.0	87.5	87.9	87.0	
P.F. (%)	8.0	27.0	43.0	55.0	62.0	67.2	68.0	38.0

Motor Speed Data

	LR	Pull-Up	BD	Rated	Idle
Speed (RPM)	0	600	1043	1175	1200
Current (Amps)	15.2	14.9	7.4	2.60	1.70
Torque (ft-lb)	11.0	10.8	22.5	6.7	0.00

Information Block				
HP	1.5			
Sync. RPM	1200			
Frame	180			
Enclosure	TEFC			
Construction	TFW			
Voltage	230/460 V			
Frequency	60 Hz			
Design	B			
LR Code letter	K			
Service Factor	1.15			
Temp Rise @ FL	35 °C			
Duty	CONT			
Ambient	40 °C			
Elevation	1,000 feet			
Rotor/Shaft wk ²	0.56 Lb-Ft ²			
Ref Wdg	T8636 FR			
Sound Pressure @ 1M	0 dBA			
VFD Rating	NONE			
Outline Dwg	035548-900			
Conn. Diag	005010.01ME			
Additional Specifications:				
0				
0				
EQUIV CKT (OHMS / PHASE)				
R1	R2	X1	X2	Xm
0.0000	0.0000	0.0000	0.0000	0.0000



Speed -Torque Curve

