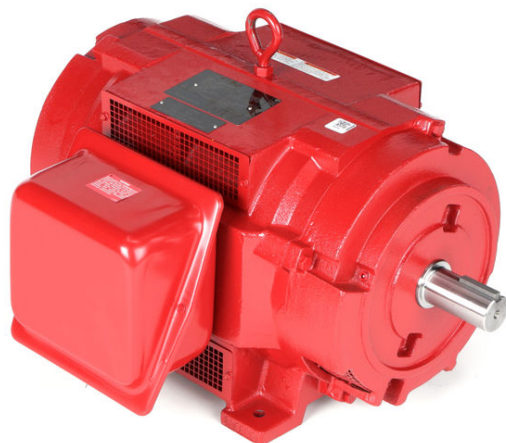


PRODUCT INFORMATION PACKET

Model No: 286TSTDBD4022

Catalog No: U592

40 HP Fire Pump Motor, 3 phase, 3600 RPM, 230/460 V, 286TS Frame, ODP
Fire Pump Motors



Regal and Marathon are trademarks of Regal Beloit Corporation or one of its affiliated companies.
©2021 Regal Beloit Corporation, All Rights Reserved. MC017097E





Nameplate Specifications

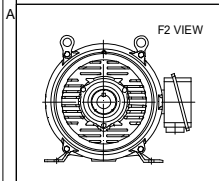
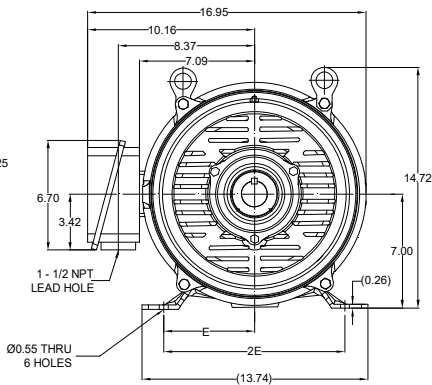
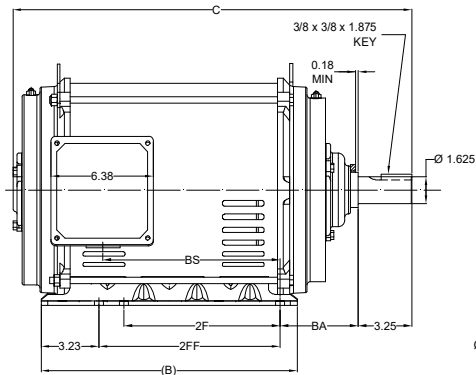
Output HP	40 Hp	Output KW	30.0 kW
Frequency	60 Hz	Voltage	230/460 V
Current	94.0/47.0 A	Speed	3555 rpm
Service Factor	1.15	Phase	3
Efficiency	91.7 %	Power Factor	87
Duty	Continuous	Insulation Class	F
Design Code	B	KVA Code	F
Frame	286TS	Enclosure	Drip Proof
Thermal Protection	No	Ambient Temperature	50 °C
Drive End Bearing Size	6211	Opp Drive End Bearing Size	6211
UL	Listed	CSA	Y
CE	Y	IP Code	23

Technical Specifications

Electrical Type	Squirrel Cage Induction Run	Starting Method	Part Wdg Start & Wye Start Delta Run
Poles	2	Rotation	Reversible
Resistance Main	.285 Ohms	Mounting	Rigid Base
Motor Orientation	Horizontal	Drive End Bearing	Ball
Opp Drive End Bearing	Ball	Frame Material	Rolled Steel
Shaft Type	TS	Overall Length	25.72 in
Frame Length	13.97 in	Shaft Diameter	1.625 in
Shaft Extension	3.25 in	Assembly/Box Mounting	F1/F2 CAPABLE
Connection Drawing	EE7308AA	Outline Drawing	SS620709-286TS

This is an uncontrolled document once printed or downloaded and is subject to change without notice. Date Created:05/01/2021


DASH NO.	4		3				2		1	
	B	C	E	2E	2F	2FF	BA	BS	MOUNTING	FRAME
100	15.55	24.34	5.50	11.00	9.50	11.00	4.75	10.80	F1 OR F2	284TS
200		25.72						12.18		286TS



DRAWING REVISION C	REVISION BY VS	REV DATE/ E DATE 22-02-2021
ECD CR-0001300	APPROVED BY GNK	DATE 22-02-2021
EOD DESCRIPTION BS VALUE CORRECTION		
<small>COPYRIGHT (P) & REGISTRATION (R) BELGOLD AMERICA, INC. ALL RIGHTS RESERVED. PRINTING (P) & COMPILED (C) INFORMATION. THIS DOCUMENT IS THE PROPERTY OF BELGOLD AMERICA, INC. (OWNER) AND CONTAINS OWNER'S PROPRIETARY INFORMATION. ANY PERSONAL CONSIDERATION OR USE FROM RECEIVING IT, WITHOUT RECEIVING IT, TO AGREE THAT IT AND/OR ANY PART OF IT SHALL NOT BE DISCLOSED TO ANY PERSON, CORPORATION OR OTHER ENTITY, UNLESS AUTHORIZED IN WRITING BY AN EXPRESSOR APPROVED IN WRITING IN ADVANCE BY OWNER. THIS DOCUMENT SHALL BE RETURNED TO OWNER UPON REQUEST. IT MAY BE SUBJECT TO CHANGING INSTRUCTIONS UNDER APPLICABLE EXPORT CONTROL LAWS AND REGULATIONS.</small>		

PRIMARY DIMENSIONS ARE INCH
ITEM DIMENSIONS IN (BRACKETS)
ARE FOR REFERENCE ONLY

DRAWN BY VS	DATE 12-02-2021
APPROVED BY GNK	DATE 12-02-2021
REFERENCE	THIRD ANGLE PROJECTION

 Regal Beloit America, Inc.

DESCRIPTION
OUTLINE
284/286TS FR NEMA COP RS

MATERIAL PROCESS/FINISH

SIZE
B

DRAWING NUMBER
SS620709

SHEET
1 OF 1



LOW VOLTAGE



HIGH VOLTAGE



DRAWING REVISION K	REVISION BY AJW	DATE 07-17-2015
ECO ECO-0081632	APPROVED BY T. VUE	DATE 07-17-2015
ECO DESCRIPTION REV'D IEC MARKINGS PER IEC 60034-8		
COPYRIGHT REGAL BELOIT AMERICA, INC. ALL RIGHTS RESERVED. PROPRIETARY AND CONFIDENTIAL INFORMATION - THIS DOCUMENT IS THE PROPERTY OF REGAL BELOIT AMERICA, INC. ("OWNER") AND CONTAINS OWNER'S PROPRIETARY INFORMATION. ANY PERSON, CORPORATION OR OTHER FIRM RECEIVING IT IS DEEMED, BY RECEIVING IT, TO AGREE THAT IT, AND/OR ANY PART OF IT, SHALL NOT BE DISCLOSED TO ANY PERSON, CORPORATION OR OTHER ENTITY, DUPLICATED, AND/OR USED, EXCEPT AS EXPRESSLY APPROVED IN WRITING IN ADVANCE BY OWNER. THIS DOCUMENT SHALL BE RETURNED TO OWNER UPON REQUEST. IT MAY BE SUBJECT TO CERTAIN RESTRICTIONS UNDER APPLICABLE EXPORT CONTROL LAWS AND REGULATIONS.		



DRAWN BY LZ	Regal Beloit America, Inc.	
DATE 01-12-1994		
APPROVED BY GK	CONN DIAGRAM-EXTERNAL 3Ø-2/1 DELTA-12 LEADS	
DATE 01-14-1994		
REFERENCE	MATERIAL	PROCESS/FINISH
THIRD ANGLE PROJECTION	SIZE A	DRAWING NUMBER EE7308AA
		SHEET 1 OF 1



P.O. BOX 8003
WAUSAU, WI 54401-8003
PH. 715-675-3311

DATA VOLTS: 460

CERTIFICATION DATA SHEET

CUSTOMER: _____ CUSTOMER P.O. #: _____
 ORDER #: _____ REFERENCE MODEL #: 286TSTDBD4022
 CONN. DIAGRAM: EE7308AA CAT #: U592
 OUTLINE: SS620709 CUSTOMER PART #: _____
 WINDING: IE3L1802111 NONE 2 MOUNTING: F1/F2 CAPABLE
 SPEED: _____

TYPICAL MOTOR PERFORMANCE DATA

HP	KW	SYNC RPM	FL RPM	FRAME	ENCLOSURE	TYPE	KVA CODE	DESIGN
40	30	3600	3555	286TS	DP	TDC	F	B

PH	HZ	VOLTS	AMPS	START TYPE	DUTY	INSL	S.F.	AMB	ELEV.
3	60/50	230/460#190/380	94/47&87/43.5	WS(LV ONLY) & YDRU	CONT	F	1.15	50	3300

F.L. EFF	91.7	3/4 LD EFF	91.7	1/2 LD EFF	90.2	GTD EFF	90.2	ELECT. TYPE	SQ CAGE IND RUN
F.L. PF	87.0	3/4 LD PF	84.0	1/2 LD PF	76.0				

F.L. TORQUE	LR AMPS @ 460 V	L.R. TORQUE	B.D. TORQUE	F.L. RISE (°C)
59.0 LB-FT	270	87.0 LB-FT 147%	145 LB-FT 246%	40

@ 3 FT.	POWER	ROTOR WK ²	MAX. LOAD WK ²	SAFE STALL TIME	STARTS/HOUR	MOTOR WGT
999 dBA	1008 dBA	0.00 LB-FT ²	0 LB-FT ²	20 SEC.	2	0 LB.

*** SUPPLEMENTAL INFORMATION ***

DE BRACKET TYPE	ODE BRACKET TYPE	MOUNT TYPE	MOTOR ORIENTATION	SEVERE DUTY	HAZARDOUS LOCATION	DRIP COVER	SCREENS	PAINT
STANDARD	STANDARD	RIGID	HORIZONTAL	NO	NONE	NO	NONE	RED (ENAMEL)

BEARINGS		GREASE	SHAFT TYPE	SPECIAL DE	SPECIAL ODE	SHAFT MATERIAL	FRAME MATERIAL
DE	ODE	POLYREX EM	TS	NONE	NONE	1045 HOT ROLLED (C-204)	ROLLED STEEL
BALL	BALL						
6211	6211						

THERMOSTATS	PROTECTORS	WDG RTD's	BRG RTD's	THERMISTORS	CONTROL	SPACE HEATERS
NONE	NOT	NONE	NONE	NONE	FALSE	NA

R1 (ohms/ph)	R2 (ohms/ph)	X1 (ohms/ph)	X2 (ohms/ph)	Xm (ohms/ph)	VIBRATION (in/sec)	FLOAT
0.17	0.078	0.468	0.7	16.945	0.150	ODE

NOTES	_____	INVERTER TORQUE: NONE INV. HP SPEED RANGE: NONE ENCODER: NONE NONE NONE NONE PPR

PREPARED BY: FAREEDA DUDEKULA DATE: 9/17/2018	BRAKE: NONE NONE NONE FT-LB: NA VOLTAGE: NONE HZ:
FORM: 3531 REV_4 2/27/06	UL: NONE

Data Sheet

286TSTDBD4022

Date: 12/10/2018
 Customer: _____
 Attention: _____
 Submitted by: FAREEDA DUDEKULA



Submittal

Data @ 460 V

Motor Load Data

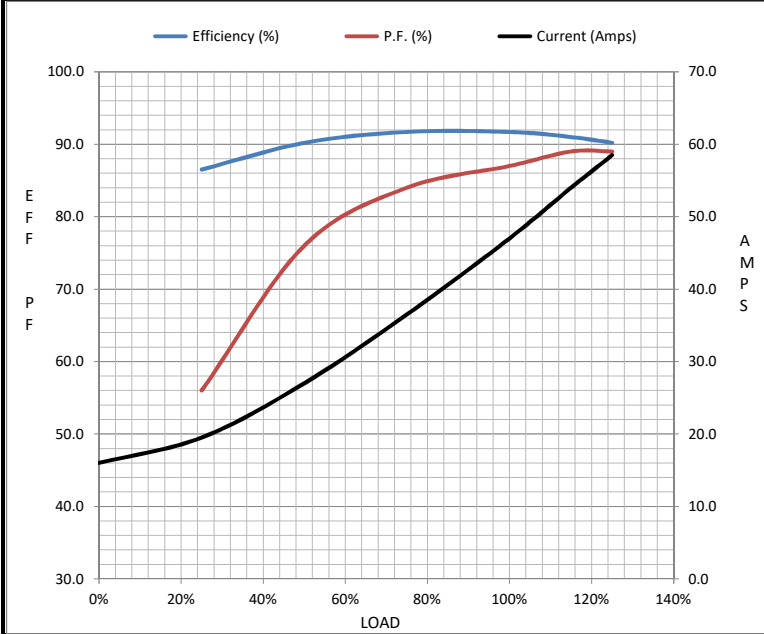
Load	0%	25%	50%	75%	100%	115%	125%	LR
Current (Amps)	16.0	19.5	27.0	36.5	47.0	54.0	58.5	270
Torque (ft-lb)	0.00	14.6	29.5	44.0	59.0	68.0	74.0	87.0
RPM	3600	3590	3578	3565	3555	3,545	3540	0
Efficiency (%)		86.5	90.2	91.7	91.7	91.0	90.2	
P.F. (%)	8.0	56.0	76.0	84.0	87.0	89.0	89.0	37.0

Motor Speed Data

	LR	Pull-Up	BD	Rated	Idle
Speed (RPM)	0	1800	3350	3555	3600
Current (Amps)	270	250	155	47.0	16.0
Torque (ft-lb)	87.0	75.0	145	59.0	0.00

Information Block

HP	40.0			
Sync. RPM	3600			
Frame	286			
Enclosure	DP			
Construction	TDB			
Voltage	230/460#190/380 V			
Frequency	60 Hz			
Design	B			
LR Code letter	F			
Service Factor	1.15			
Temp Rise @ FL	40 °C			
Duty	CONT			
Ambient	40 °C			
Elevation	1,000 feet			
Rotor/Shaft wk ²	0.00 Lb-Ft ²			
Ref Wdg	IE3L1802111 NONE			
Sound Pressure @ 1M	999 dBA			
VFD Rating	NONE			
Outline Dwg	SS620709			
Conn. Diag	EE7308AA			
Additional Specifications:				
0				
0				
EQUIV CKT (OHMS / PHASE)				
R1	R2	X1	X2	Xm
0.1700	0.0780	0.4680	0.7000	16.9450



Speed - Torque Curve

