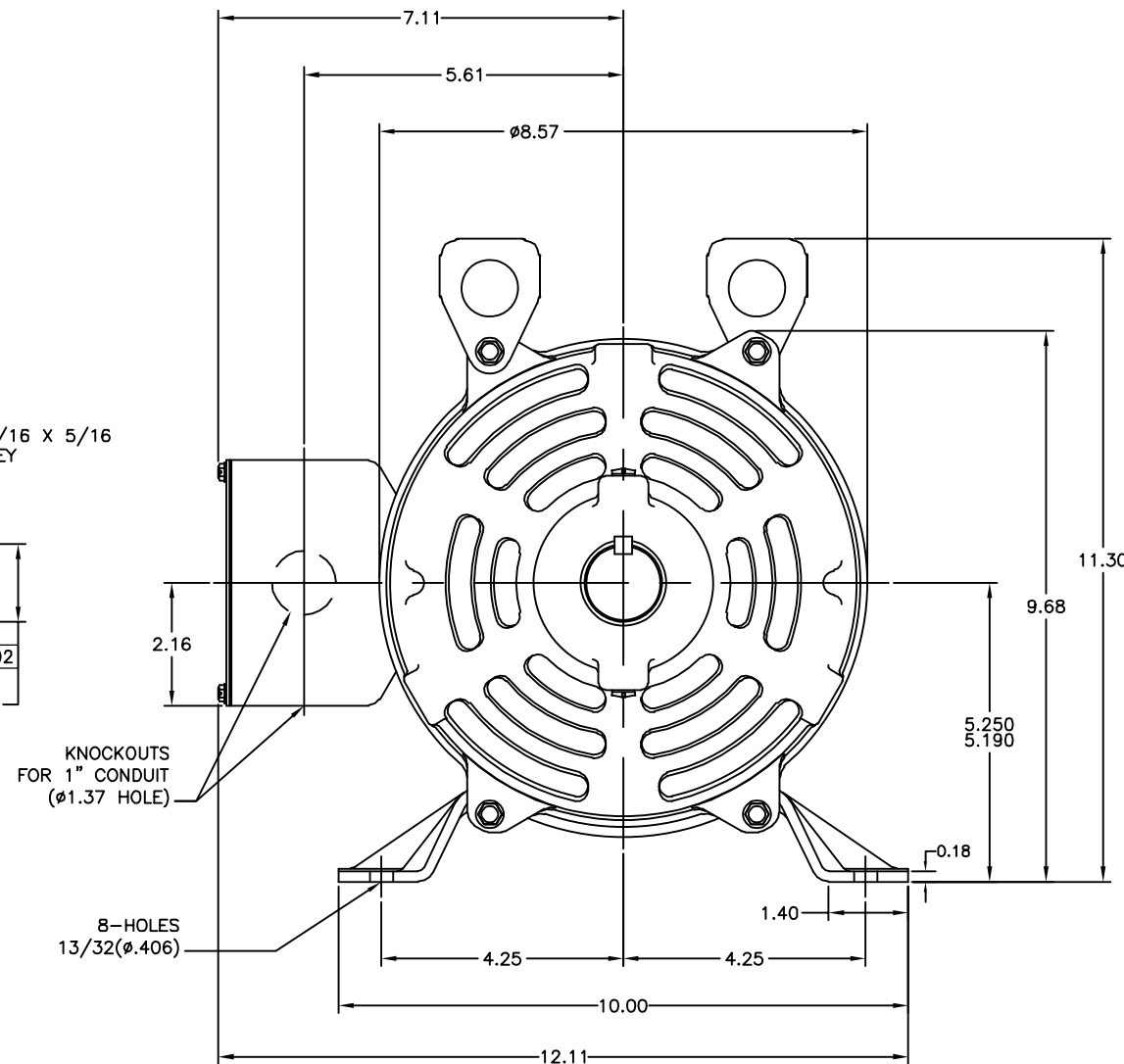
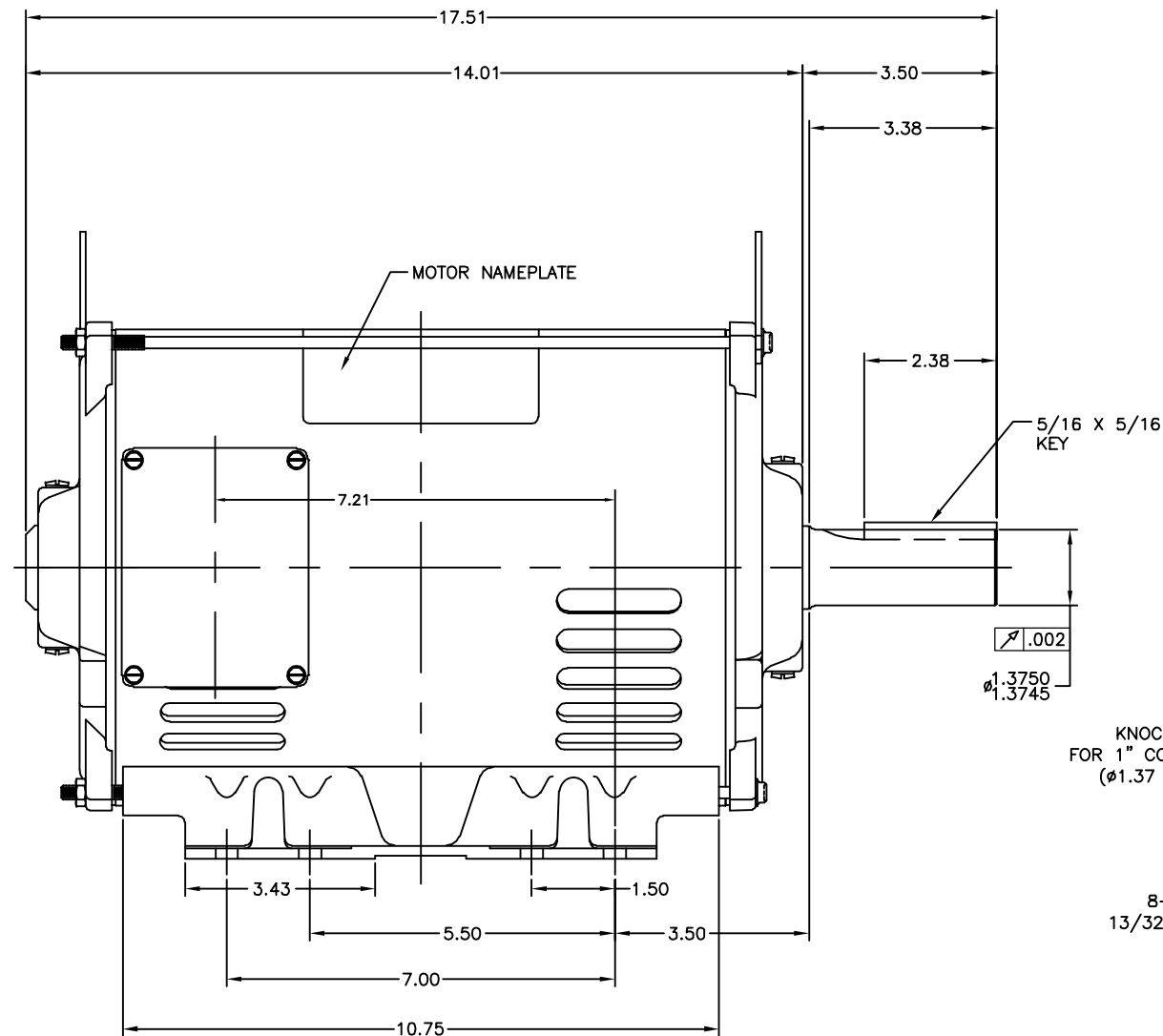


REV	ECO	REV BY	DATE	APPD	DATE
E	0001726	AJB	09-05-2008	AJB	09-05-2008

MOTOR DESCRIPTION:
 3 PHASE OPEN DRIPPROOF STEEL SHELL 213T OR 215T MOUNTING.
 OTHER MOUNTING ORIENTATIONS ARE ACCEPTABLE; HOWEVER WHEN
 MOUNTED OTHER THAN HORIZONTAL; MOTOR WILL NOT BE DRIPPROOF
 AS DEFINED BY NEMA.



CERTIFICATION OF A.C. MOTORS					
CERTIFIED FOR		CERTIFICATION			
SPEC. NO.	NO.	ORDER NO.	NO.		
ORDER I.D.	I.D.	NO.	EMI	EMI	
TYPE	TYPE	FRAME	FRAME	H.P. H.P.	
R.P.M.	RPM	VOLTS	VOLTS	PHASE	PHASE
HERTZ	HERTZ	AMPS	AMPS	CODE	-
REMARKS	REMARKS		REMARKS2		
APPROVED BY	APPROVED BY	DATE:	DATE		

- NOTES:
- 1- CONDUIT KNOCKOUTS ARE PROVIDED IN TERMINAL BOX TO ALLOW CONDUIT TO BE ATTACHED AT 6:00 O'CLOCK AND 3:00 O'CLOCK POSITION WITHOUT ROTATING THE BOX. TO PROVIDE ACCESS AT 12:00 O'CLOCK AND 9:00 O'CLOCK THE BOX MUST BE REMOVED, ROTATED 180°, AND REATTACHED.
 - 2- MOTOR CAN BE CONVERTED FROM AN F1 TO AN F2 ASSEMBLY.
 - 3- MOTOR VENTILATION: AIR INTAKE THROUGH OPENINGS IN THE FACE OF EACH BRACKET AND THEN EXHAUSTED THROUGH THE SLOTS ON EACH END OF THE SHELL.

GEOMETRIC CHARACTERISTICS & SYMBOLS
 □ FLATNESS
 - STRAIGHTNESS
 < ANGLARITY
 ⊥ PERPENDICULARITY (SQUARENESS)
 // PARALLELISM
 ○ ROUNDNESS (CIRCULARITY)
 ∅ CYLINDRICITY
 △ PROFILE OF ANY SURFACE
 ∩ PROFILE OF ANY LINE
 ↗ RUNOUT
 ⊕ TRUE POSITION
 ⊙ CONCENTRICITY
 = SYMMETRY

UNLESS OTHERWISE SPECIFIED
 DIM. TOLERANCES ARE AS FOLLOWS:
 INCH X XX XXX XXXX
 ±.1 ±.02 ±.005 ±.0005
 mm ±0.5 ±0.13 ±0.013
 ANG. ±.50 DEG
 REMOVE BURRS & BREAK SHARP EDGES:
 INCH .003-.015 mm 0.1-0.4
 CORNER FILLETS TO:
 INCH .020 mm 0.5
 MACHINE SURFACES:
 INCH 125 mm 3.2
 METRIC DIMS. SHOWN IN [BRACKETS]

DR BY:	AJB	02-12-2004
APPD:	JAS	02-12-2004
THIRD ANGLE PROJECTION	EDS DATE	01-21-2007
	FORMAT	REV F
CONFIDENTIAL: THIS DRAWING AND ITS INFORMATION ARE THE EXCLUSIVE AND CONFIDENTIAL PROPERTY OF A.O. SMITH CORP. AND ARE NOT TO BE DISCLOSED, DUPLICATED, DISTRIBUTED OR OTHERWISE USED WITHOUT THE WRITTEN CONSENT OF A.O. SMITH CORP. -ALL RIGHTS RESERVED. ASME Y14.5M 1994		

		ELECTRICAL PRODUCTS COMPANY A DIVISION OF A. O. SMITH CORPORATION	
DESCRIPTION			
S213/S215T ODP EE			
SIZE	C	DWG NO	18748401-001
SCALE	NONE	SHEET 1	

4

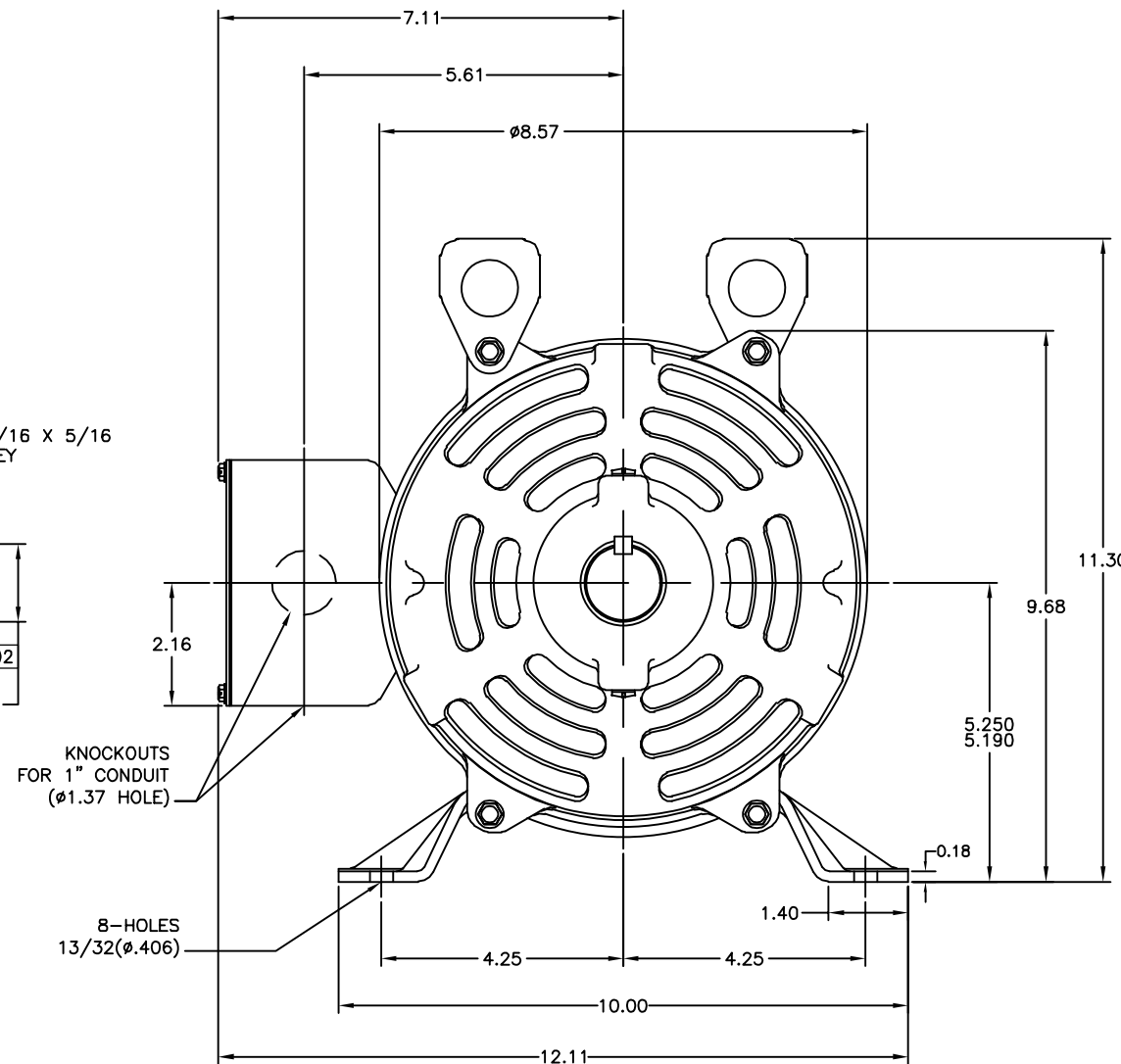
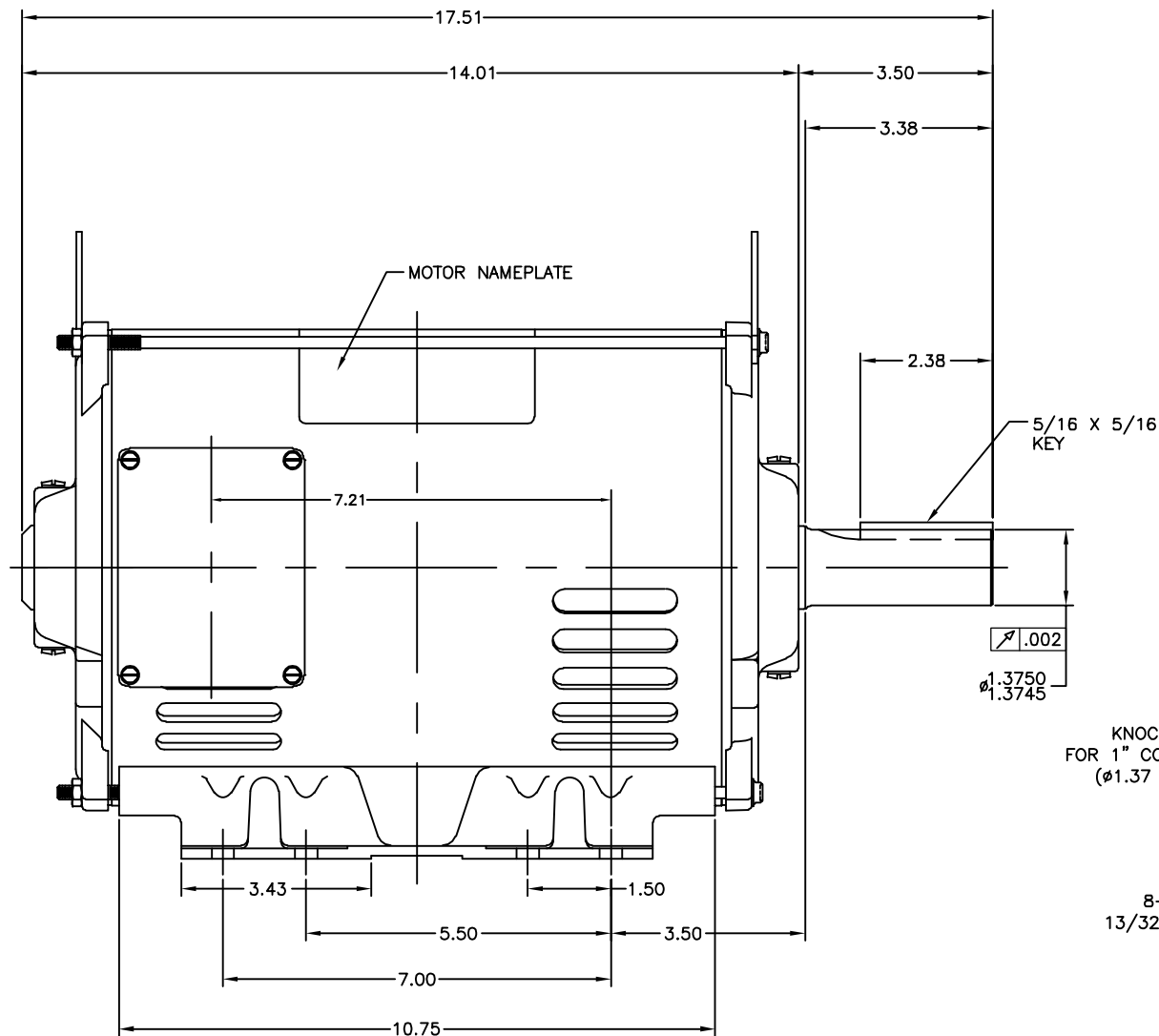
3

2

1

REVISION:	ECO	REVISADO POR:	FECHA:	APROBADO POR:	FECHA:
E	0001726	AJB	09-05-2008	AJB	09-05-2008

MOTOR DESCRIPTION:
 3 PHASE OPEN DRIPPROOF STEEL SHELL 213T OR 215T MOUNTING.
 OTHER MOUNTING ORIENTATIONS ARE ACCEPTABLE; HOWEVER WHEN
 MOUNTED OTHER THAN HORIZONTAL; MOTOR WILL NOT BE DRIPPROOF
 AS DEFINED BY NEMA.



CERTIFICATION OF A.C. MOTORS					
CERTIFIED FOR _____			CERTIFICATION _____		
SPEC. NO.	NO.	ORDER NO.	NO.		
ORDER I.D.	I.D.	NO.	EMI	EMI	
TYPE	TYPE	FRAME	FRAME	H.P. H.P.	
R.P.M.	RPM	VOLTS	VOLTS	PHASE	PHASE
HERTZ	HERTZ	AMPS	AMPS	CODE	-
REMARKS	REMARKS				
REMARKS2					
APPROVED BY	APPROVED BY	DATE:	DATE		

- NOTES:
- 1- CONDUIT KNOCKOUTS ARE PROVIDED IN TERMINAL BOX TO ALLOW CONDUIT TO BE ATTACHED AT 6:00 O'CLOCK AND 3:00 O'CLOCK POSITION WITHOUT ROTATING THE BOX. TO PROVIDE ACCESS AT 12:00 O'CLOCK AND 9:00 O'CLOCK THE BOX MUST BE REMOVED, ROTATED 180°, AND REATTACHED.
 - 2- MOTOR CAN BE CONVERTED FROM AN F1 TO AN F2 ASSEMBLY.
 - 3- MOTOR VENTILATION: AIR INTAKE THROUGH OPENINGS IN THE FACE OF EACH BRACKET AND THEN EXHAUSTED THROUGH THE SLOTS ON EACH END OF THE SHELL.

CARACTERISTICAS DE GEOMETRIA Y SIMBOLOS
 ✓ PLANICIDAD
 - RECTITUD
 < ANGULARIDAD
 ⊥ PERPENDICULARIDAD (A ESCUADRA)
 // PARALELISMO
 ○ REDONDEZ (CIRCULARIDAD)
 ∅ CILINDRICIDAD
 △ PERFIL DE CUALQUIER SUPERFICIE
 ^ PERFIL DE CUALQUIER LINEA
 / VARIACION
 ⊕ POSICION REAL
 ⊙ CONCENTRICIDAD
 = SIMETRIA

A MENOS QUE SE ESPECIFIQUE DE OTRA MANERA, LAS TOLERANCIAS DE LAS DIMS; SON LAS SIGUIENTES:
 PULG ±.1 ±.02 ±.005 ±.0005
 mm ±0.5 ±0.13 ±0.013
 ANG. ±.50 GRADOS
 ELIMINAR REBABAS Y ORILLAS FILOSAS DEL BORDE.
 PULG .003-.015 mm 0.1-0.4
 FILETEAR ESQUINA: PULG .020 mm 0.5
 MAQUINAR SUPERFICIES
 PULG 125 mm 3.2
 DIMS METRICAS MOSTRADAS [PARENTESIS]

DIBUJADO POR:	AJB	02-12-2004
APROBADO POR:	JAS	02-12-2004
TERCER ANGULO DE PROYECCION	⊕	FECHA EDS: 01-21-2007 REV. FORMATO: F
CONFIDENCIAL: ESTE DIBUJO Y SU INFORMACION SON PROPIEDAD DE USO EXCLUSIVO Y CONFIDENCIAL DE A.O.SMITH CORP. Y NO DEBERAN SER REVELADOS, DUPLICADOS, DISTRIBUIDOS O USARSE DE OTRA MANERA SIN EL CONSENTIMIENTO ESCRITO DE A.O. SMITH CORP. -TODOS LOS DERECHOS RESERVADOS.ASME Y14.5M 1994		

ACSmith **ELECTRICAL PRODUCTS COMPANY**
 Innovation has a name. A DIVISION OF A. O. SMITH CORPORATION

DESCRIPCION: **OUTLINE S213/S215T ODP EE**

TAMAÑO: **C** NUMERO DE DIBUJO: **18748401-001**

ESCALA: NONE HOJA: 1

4

3

2

1

4

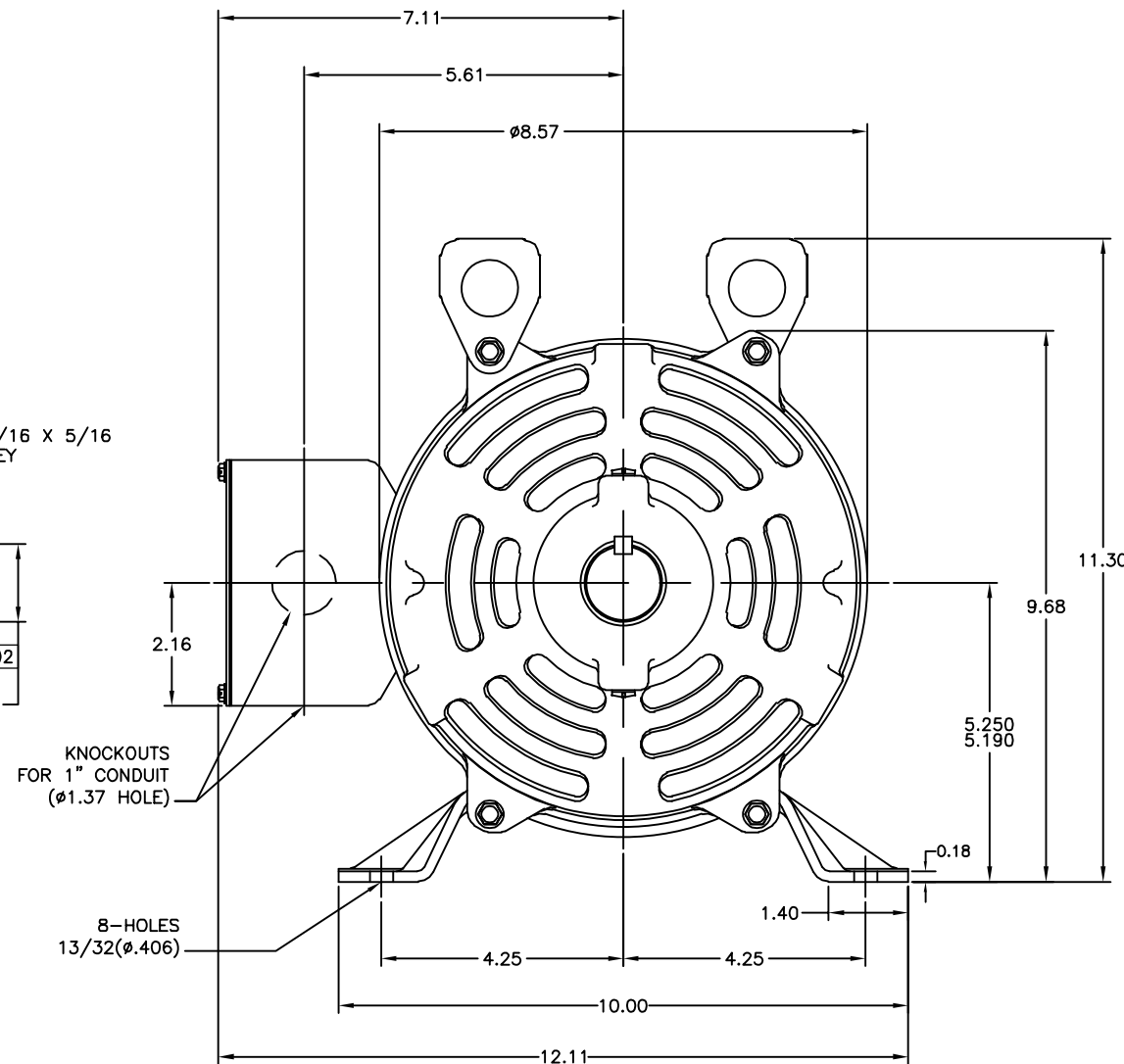
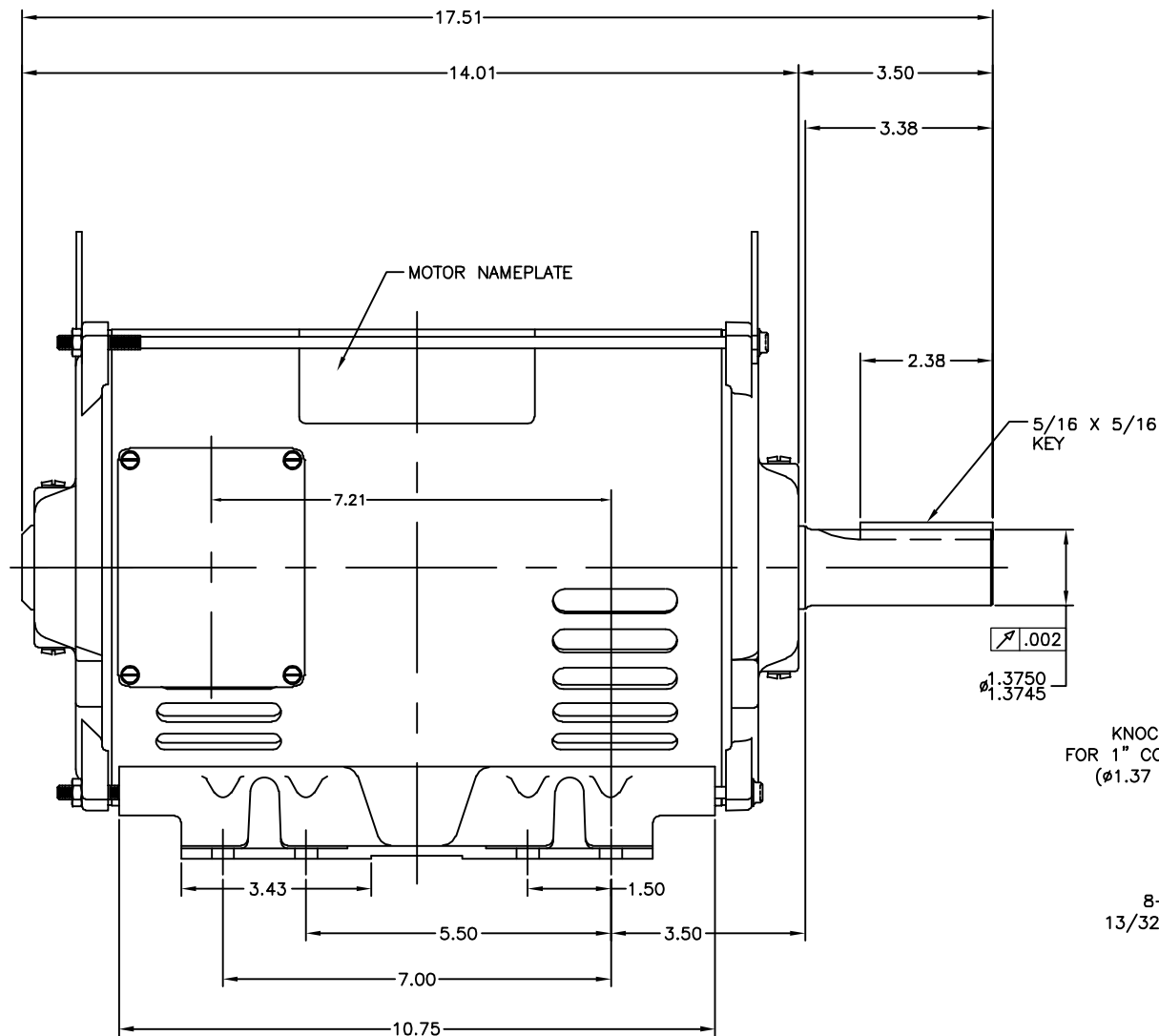
3

2

1

MOTOR DESCRIPTION:
3 PHASE OPEN DRIPPROOF STEEL SHELL 213T OR 215T MOUNTING.
OTHER MOUNTING ORIENTATIONS ARE ACCEPTABLE; HOWEVER WHEN
MOUNTED OTHER THAN HORIZONTAL; MOTOR WILL NOT BE DRIPPROOF
AS DEFINED BY NEMA.

版本	ECO	编制	日期	批准	日期
E	0001726	AJB	09-05-2008	AJB	09-05-2008



CERTIFICATION OF A.C. MOTORS				
CERTIFIED FOR	CERTIFICATION			
SPEC. NO.	NO.	ORDER NO.	NO.	
ORDER I.D.	I.D.	NO.	EMI EMI	
TYPE	TYPE	FRAME	FRAME	H.P. H.P.
R.P.M.	RPM	VOLTS	VOLTS	PHASE PHASE
HERTZ	HERTZ	AMPS	AMPS	CODE -
REMARKS	REMARKS			
	REMARKS2			
APPROVED BY	APPROVED_BY	DATE:	DATE	

- NOTES:
- 1- CONDUIT KNOCKOUTS ARE PROVIDED IN TERMINAL BOX TO ALLOW CONDUIT TO BE ATTACHED AT 6:00 O'CLOCK AND 3:00 O'CLOCK POSITION WITHOUT ROTATING THE BOX. TO PROVIDE ACCESS AT 12:00 O'CLOCK AND 9:00 O'CLOCK THE BOX MUST BE REMOVED, ROTATED 180°, AND REATTACHED.
 - 2- MOTOR CAN BE CONVERTED FROM AN F1 TO AN F2 ASSEMBLY.
 - 3- MOTOR VENTILATION: AIR INTAKE THROUGH OPENINGS IN THE FACE OF EACH BRACKET AND THEN EXHAUSTED THROUGH THE SLOTS ON EACH END OF THE SHELL.

形位公差
□ 平面度
— 直线度
∠ 倾斜度
⊥ 垂直度
∥ 平行度
○ 圆度
⊘ 圆柱度
△ 面轮廓度
∩ 线轮廓度
↗ 圆跳动
⊕ 位置度
⊙ 同轴度
≡ 对称度

除另有注明
尺寸公差如下:
英寸 X XX XXX XXXX
±.1 ±.02 ±.005 ±.0005
毫米 ±0.5 ±0.13 ±0.013
角度 ±.50 度
清理毛刺和尖棱
英寸 .003-.015 毫米 0.1-0.4
内圆角
英寸 .020 毫米 0.5
表面粗糙度
英制 125 米制 3.2
米制尺寸显示在 []

绘图:	AJB	02-12-2004
批准:	JAS	02-12-2004
第三角投影	⊕	图纸格式发布日期 01-21-2007 图纸格式版本 F
机密: 本图纸及相关信息所有权归A. O. SMITH公司所有。 未经A. O. SMITH公司书面授权, 不得泄露、复制、传播或作 其他用途。— 版权所有		
ASME Y14.5M 1994		

AC Smith Innovation has a name.		ELECTRICAL PRODUCTS COMPANY A DIVISION OF A. O. SMITH CORPORATION	
名称	OUTLINE S213/S215T ODP EE		
图幅	C	图号	18748401-001
比例	NONE	页号	1

4

3

2

1