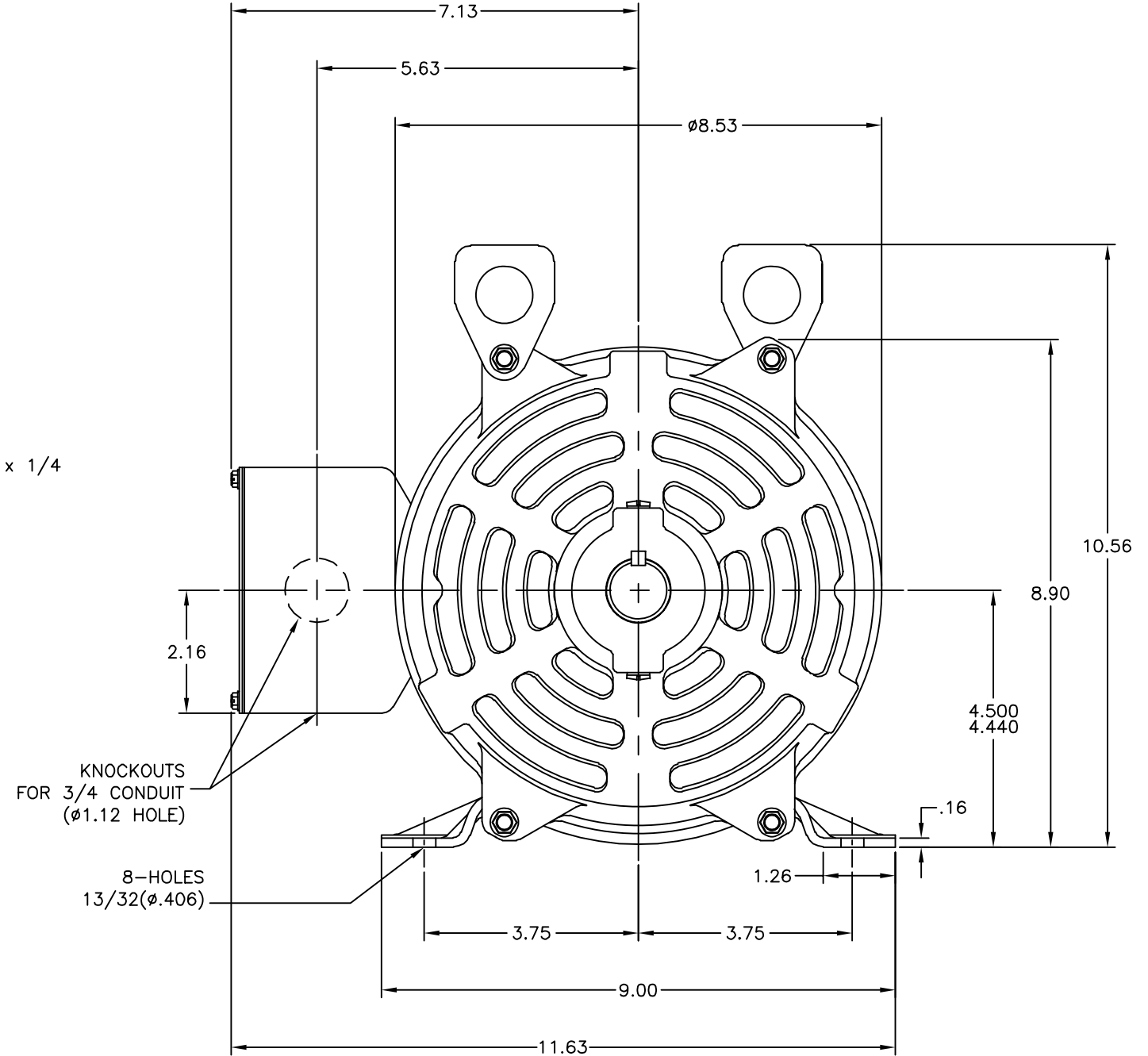
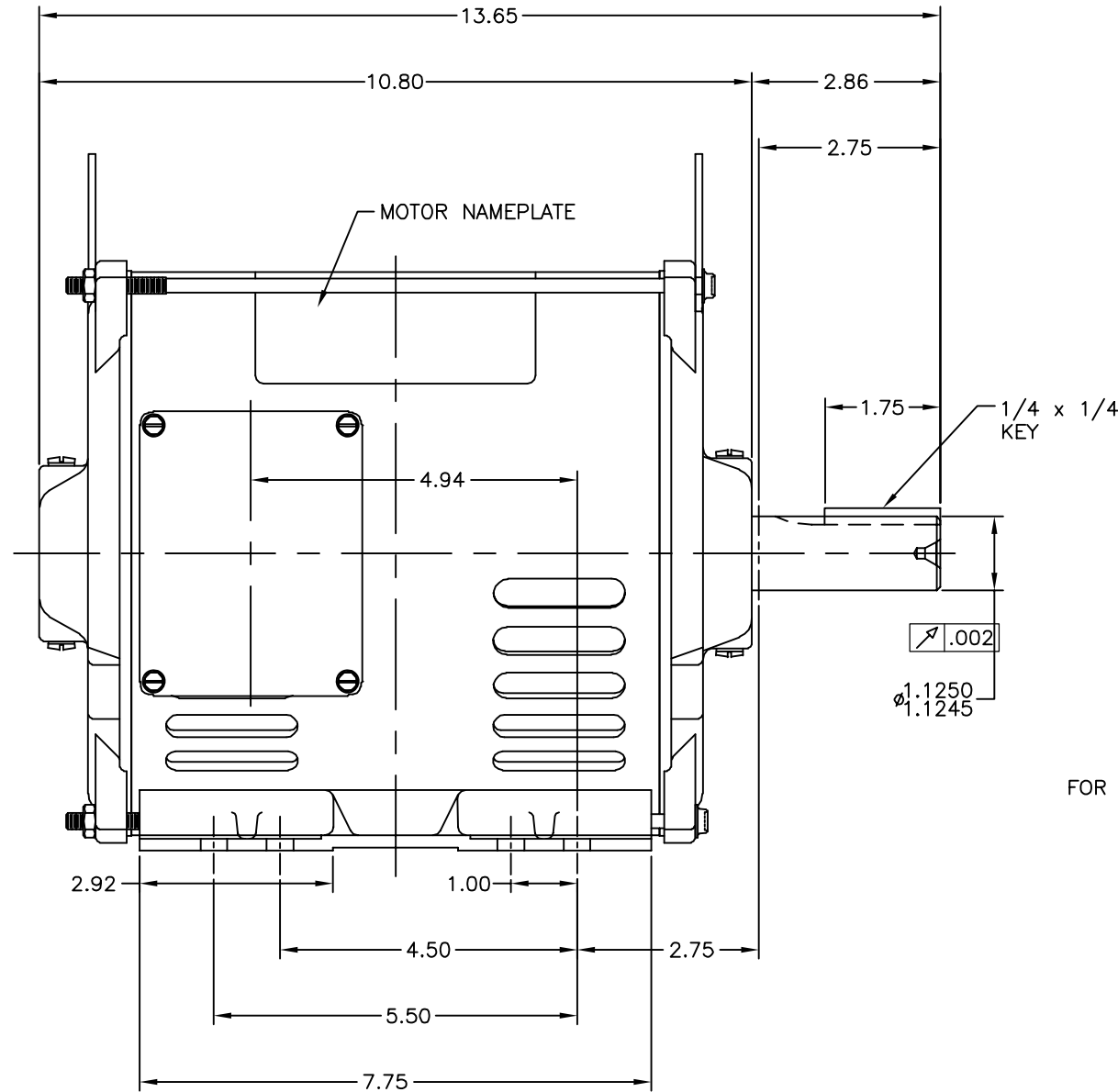


REV	ECO	REV BY	DATE	APPD	DATE
B	02801601	abaugh	02/19/2004	JAS	.



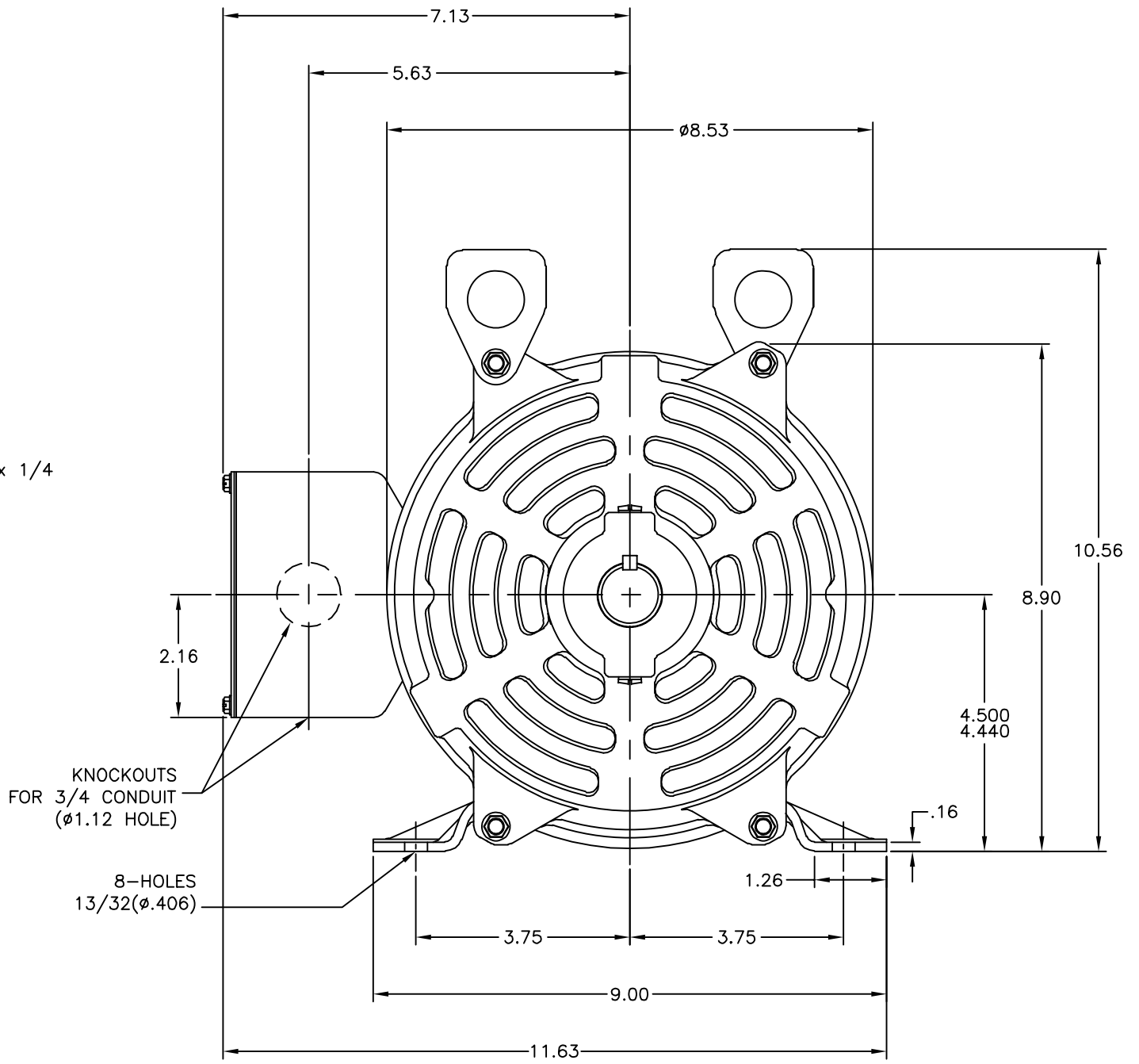
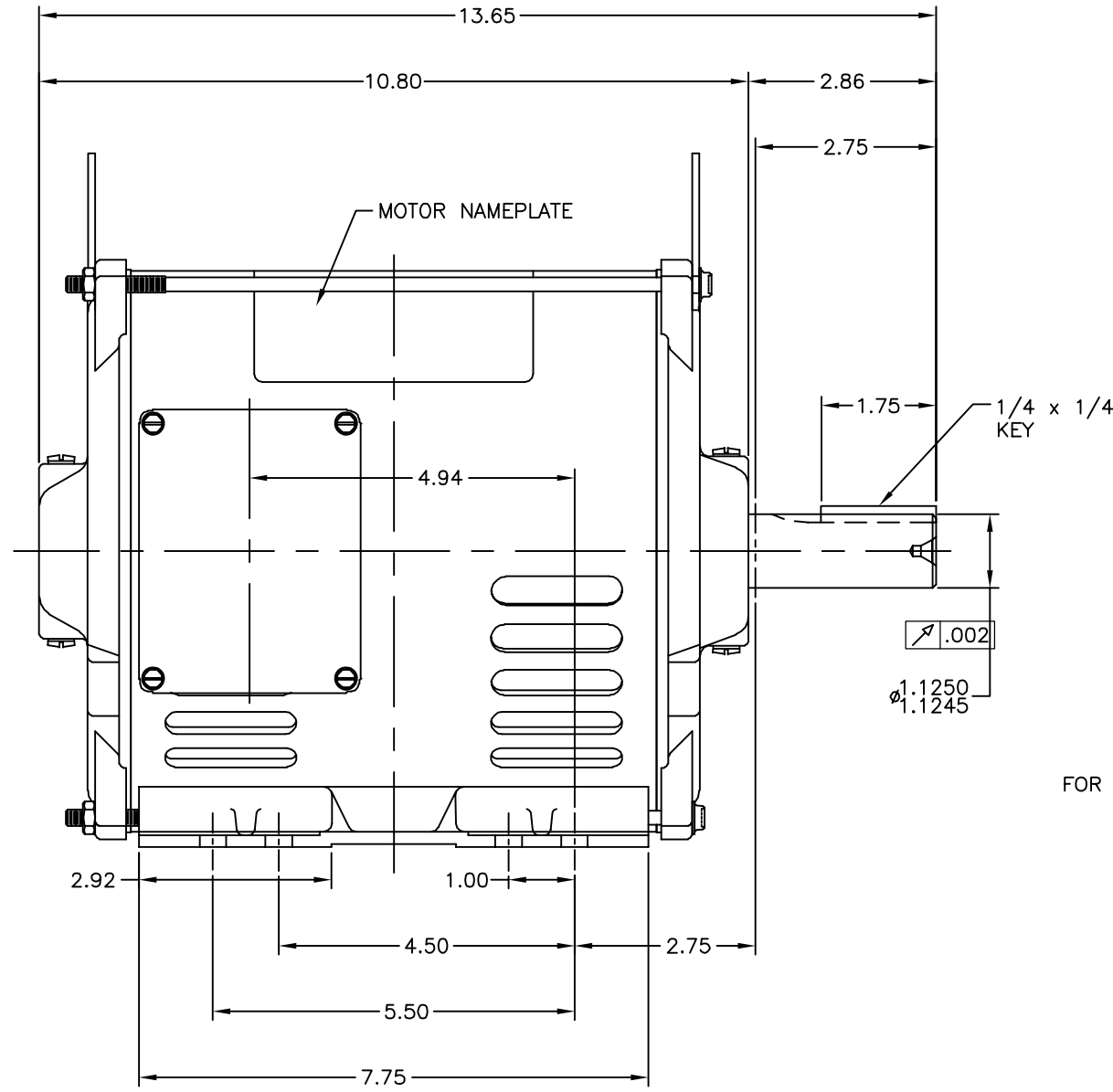
- NOTES:
- 1- CONDUIT KNOCKOUTS ARE PROVIDED IN TERMINAL BOX TO ALLOW CONDUIT TO BE ATTACHED AT 6:00 O'CLOCK AND 3:00 O'CLOCK POSITION WITHOUT ROTATING THE BOX. TO PROVIDE ACCESS AT 12:00 O'CLOCK AND 9:00 O'CLOCK THE BOX MUST BE REMOVED, ROTATED 180', AND REATTACHED.
 - 2- MOTOR CAN BE CONVERTED FROM AN F1 TO AN F2 ASSEMBLY.
 - 3- MOTOR VENTILATION: AIR INTAKE THROUGH OPENINGS IN THE FACE OF EACH BRACKET AND THEN EXHAUSTED THROUGH THE SLOTS ON EACH END OF THE SHELL.

MOTOR DESCRIPTION:
 3 PHASE OPEN DRIPPROOF STEEL SHELL 182T OR 184T MOUNTING.
 OTHER MOUNTING ORIENTATIONS ARE ACCEPTABLE; HOWEVER WHEN MOUNTED OTHER THAN HORIZONTAL; MOTOR WILL NOT BE DRIPPROOF AS DEFINED BY NEMA.

CERTIFICATION OF A.C. MOTORS
 CERTIFIED FOR _____
 SPEC. NO. _____ ORDER NO. _____
 ORDER I.D. _____ EMI _____
 TYPE _____ FRAME _____ H.P. _____
 R.P.M. _____ VOLTS _____ PHASE _____
 HERTZ _____ AMPS _____ CODE _____
 REMARKS _____
 APPROVED BY _____ DATE: _____

GEOMETRIC CHARACTERISTICS & SYMBOLS ▮ FLATNESS — STRAIGHTNESS ∠ ANGULARITY ⊥ PERPENDICULARITY (SQUARENESS) // PARALLELISM ○ ROUNDNESS (CIRCULARITY) ∅ CYLINDRICITY △ PROFILE OF ANY SURFACE ∩ PROFILE OF ANY LINE ↗ RUNOUT ⊕ TRUE POSITION ⊙ CONCENTRICITY = SYMMETRY	UNLESS OTHERWISE SPECIFIED DIM. TOLERANCES ARE AS FOLLOWS: INCH .1 ±.02 ±.005 ±.0005 mm ±0.5 ±0.13 ±0.13 ANG. ±.50 DE REMOVE BURRS & BREAK SHARP EDGES: INCH .005-.015 mm 0.1-0.4 CORNER FILLETS TO: INCH .020 mm 0.5 MACHINE SURFACES: INCH 125 mm 3.2 METRIC DIMS. SHOWN IN [BRACKETS]	DR BY: AJB	12/17/2003	AC Smith Innovation has a name. ELECTRICAL PRODUCTS COMPANY A DIVISION OF A. O. SMITH CORPORATION
		APPD: PAW	12/17/2003	
		THIRD ANGLE PROJECTION	EDS DATE	S182T/S184T OUTLINE ODP EE STANDARD
			FORMAT REV F	
		CONFIDENTIAL: THIS DRAWING AND ITS INFORMATION ARE THE EXCLUSIVE AND CONFIDENTIAL PROPERTY OF A.O. SMITH CORP. AND ARE NOT TO BE DISCLOSED, DUPLICATED, DISTRIBUTED OR OTHERWISE USED WITHOUT THE WRITTEN CONSENT OF A.O. SMITH CORP. -ALL RIGHTS RESERVED. ASME Y14.5M 1994		SIZE D DWG NO 18709201-001 SCALE .75-1 SHEET 1

REVISION: ECO	REVISADO POR: abough	FECHA: 02/19/2004	APROBADO POR: JAS	FECHA:
B	02801601			



- NOTES:
- 1- CONDUIT KNOCKOUTS ARE PROVIDED IN TERMINAL BOX TO ALLOW CONDUIT TO BE ATTACHED AT 6:00 O'CLOCK AND 3:00 O'CLOCK POSITION WITHOUT ROTATING THE BOX. TO PROVIDE ACCESS AT 12:00 O'CLOCK AND 9:00 O'CLOCK THE BOX MUST BE REMOVED, ROTATED 180', AND REATTACHED.
 - 2- MOTOR CAN BE CONVERTED FROM AN F1 TO AN F2 ASSEMBLY.
 - 3- MOTOR VENTILATION: AIR INTAKE THROUGH OPENINGS IN THE FACE OF EACH BRACKET AND THEN EXHAUSTED THROUGH THE SLOTS ON EACH END OF THE SHELL.

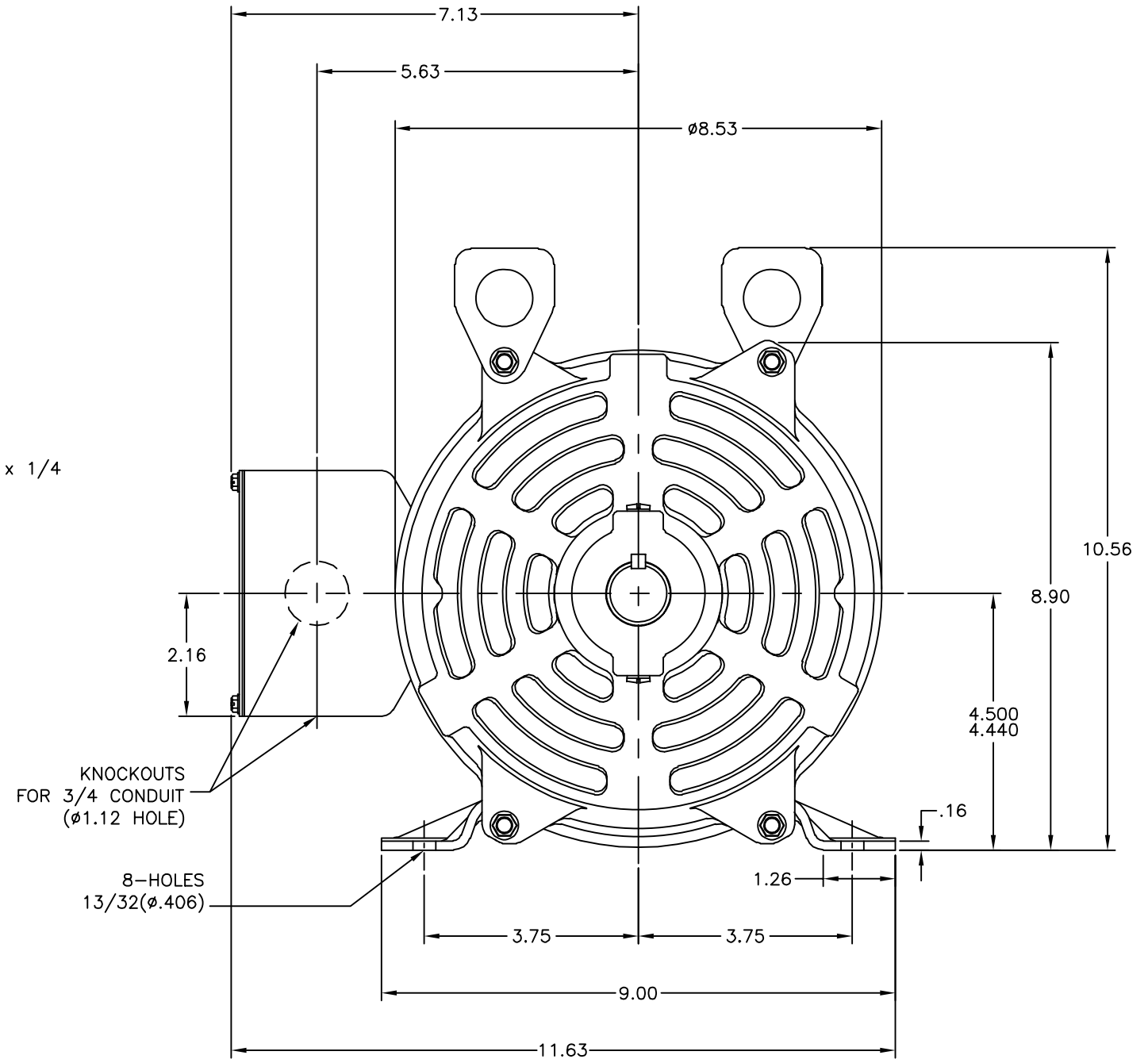
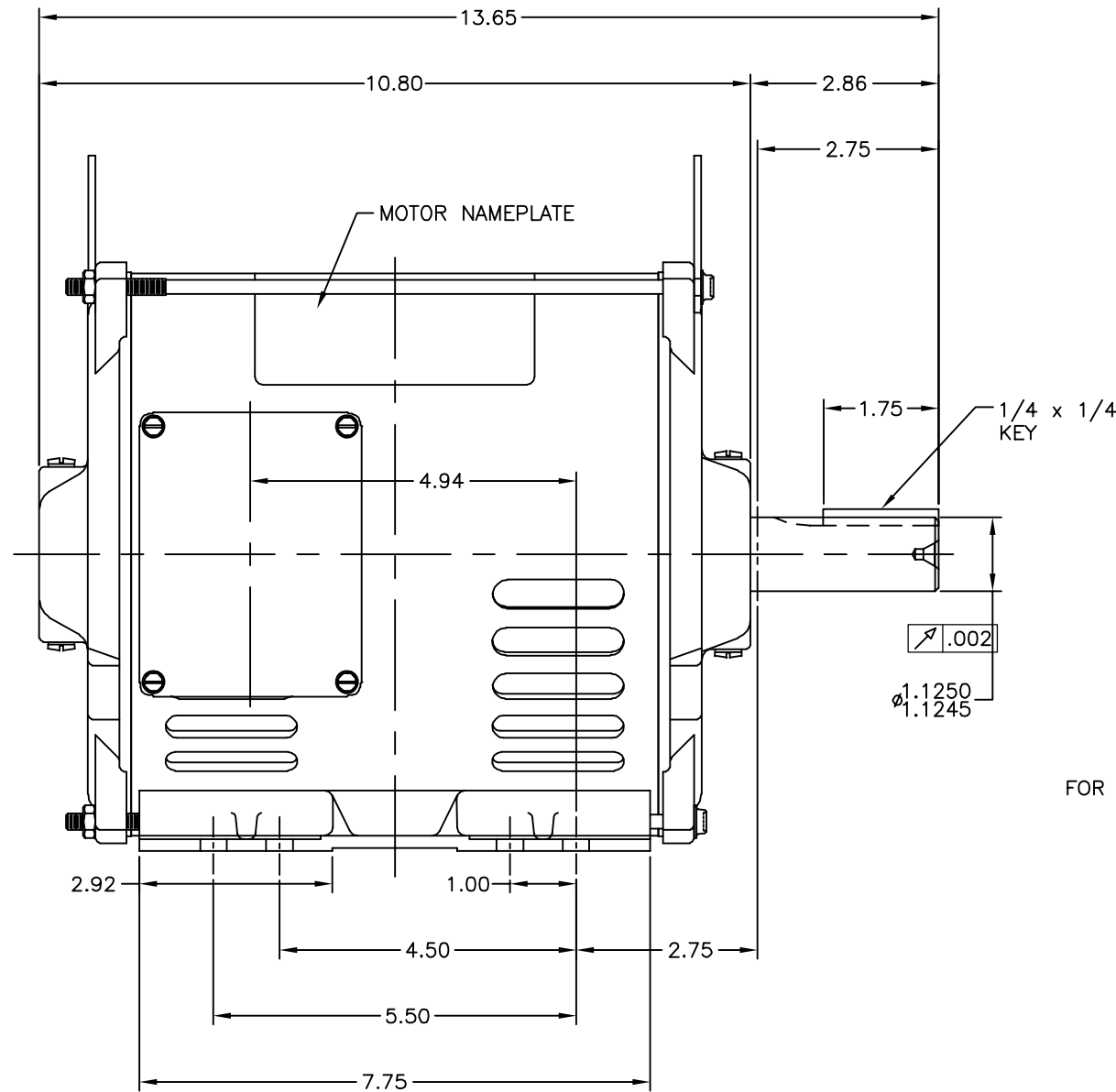
MOTOR DESCRIPTION:
 3 PHASE OPEN DRIPPROOF STEEL SHELL 182T OR 184T MOUNTING.
 OTHER MOUNTING ORIENTATIONS ARE ACCEPTABLE; HOWEVER WHEN MOUNTED OTHER THAN HORIZONTAL; MOTOR WILL NOT BE DRIPPROOF AS DEFINED BY NEMA.

CERTIFICATION OF A.C. MOTORS
 CERTIFIED FOR _____
 SPEC. NO. _____ ORDER NO. _____
 ORDER I.D. _____ EMI _____
 TYPE _____ FRAME _____ H.P. _____
 R.P.M. _____ VOLTS _____ PHASE _____
 HERTZ _____ AMPS _____ CODE _____
 REMARKS _____
 APPROVED BY _____ DATE: _____

CARACTERISTICAS DE GEOMETRIA Y SIMBOLOS: ▮ PLANICIDAD - RECTITUD < ANGULARIDAD ⊥ PERPENDICULARIDAD (A ESCUADRA) // PARALELISMO ○ REDONDEZ (CIRCULARIDAD) ∅ CILINDRICIDAD △ PERFIL DE CUALQUIER SUPERFICIE ▲ PERFIL DE CUALQUIER LINEA ↗ VARIACION ⊕ POSICION REAL ⊙ CONCENTRICIDAD = SIMETRIA	A MENOS QUE SE ESPECIFIQUE DE OTRA MANERA, LAS TOLERANCIAS DE LAS DIMS; SON LAS SIGUIENTES: PULG ±.1 .xx .xxx .xxxx mm ±0.5 .13 .03 .005 ANG. ±.50 GRAS. ELIMINAR REEBALADO Y FILOSAS DEL BORDE. PULG .003-.015 mm 0.1-0.4 FILETEAR ESQUINA: PULG .020 mm 0.5 MAQUINAR SUPERFICIES PULG 125 mm 3.2 DIMS METRICAS MOSTRADAS [PARENTESIS]	DIBUJADO POR: AJB 12/17/2003	DESCRIPCION: S182T/S184T OUTLINE ODP EE STANDARD
		APROBADO POR: PAW 12/17/2003	
CONFIDENCIAL: ESTE DIBUJO Y SU INFORMACION SON PROPIEDAD DE USO EXCLUSIVO Y CONFIDENCIAL DE A.O. SMITH CORP. Y NO DEBERAN SER REVELADOS, DUPLICADOS, DISTRIBUIDOS O USARSE DE OTRA MANERA SIN EL CONSENTIMIENTO ESCRITO DE A.O. SMITH CORP. TODOS LOS DERECHOS RESERVADOS. ASME Y14.5M 1994		ESCALA: 75-1	HOJA: 1



版本	ECO	编制	日期	批准	日期
B	02801601	abaugh	02/19/2004	JAS	.



- NOTES:
- 1- CONDUIT KNOCKOUTS ARE PROVIDED IN TERMINAL BOX TO ALLOW CONDUIT TO BE ATTACHED AT 6:00 O'CLOCK AND 3:00 O'CLOCK POSITION WITHOUT ROTATING THE BOX. TO PROVIDE ACCESS AT 12:00 O'CLOCK AND 9:00 O'CLOCK THE BOX MUST BE REMOVED, ROTATED 180°, AND REATTACHED.
 - 2- MOTOR CAN BE CONVERTED FROM AN F1 TO AN F2 ASSEMBLY.
 - 3- MOTOR VENTILATION: AIR INTAKE THROUGH OPENINGS IN THE FACE OF EACH BRACKET AND THEN EXHAUSTED THROUGH THE SLOTS ON EACH END OF THE SHELL.

MOTOR DESCRIPTION:
 3 PHASE OPEN DRIPPROOF STEEL SHELL 182T OR 184T MOUNTING.
 OTHER MOUNTING ORIENTATIONS ARE ACCEPTABLE; HOWEVER WHEN MOUNTED OTHER THAN HORIZONTAL; MOTOR WILL NOT BE DRIPPROOF AS DEFINED BY NEMA.

CERTIFICATION OF A.C. MOTORS
 CERTIFIED FOR _____
 SPEC. NO. _____ ORDER NO. _____
 ORDER I.D. _____ EMI _____
 TYPE _____ FRAME _____ H.P. _____
 R.P.M. _____ VOLTS _____ PHASE _____
 HERTZ _____ AMPS _____ CODE _____
 REMARKS _____
 APPROVED BY _____ DATE: _____

形位公差	除另有注明	绘图:	AJB	12/17/2003
尺寸公差	尺寸公差如下:	批准:	PAW	12/17/2003
平面度	英寸 X XX XXX XXXX	第三角投影		图框格式发布日期
直线度	英寸 ±.1 ±.02 ±.005 ±.0005			图框格式版本 F
倾斜度	毫米 ±0.5 ±0.13 ±0.13	机密: 本图纸及相关信息所有版权归A. O. SMITH公司所有。		未经A. O. SMITH公司书面授权, 不得泄露、复制、传播或作其他用途。一版权所有
垂直度	英寸 .003-.015 毫米 0.1-0.4			ASME Y14.5M 1994
平行度	内圆角			
圆度	英寸 .020 毫米 0.5			
圆柱度	表面粗糙度			
圆跳动	英制 125 米制 3.2			
位置度	米制尺寸显示在 []			
同轴度				
对称度				

ELECTRICAL PRODUCTS COMPANY <small>A DIVISION OF A. O. SMITH CORPORATION</small>	
名称	S182T/S184T OUTLINE ODP EE STANDARD
图幅	D 图号 18709201-001
比例	.75-1 页号 1