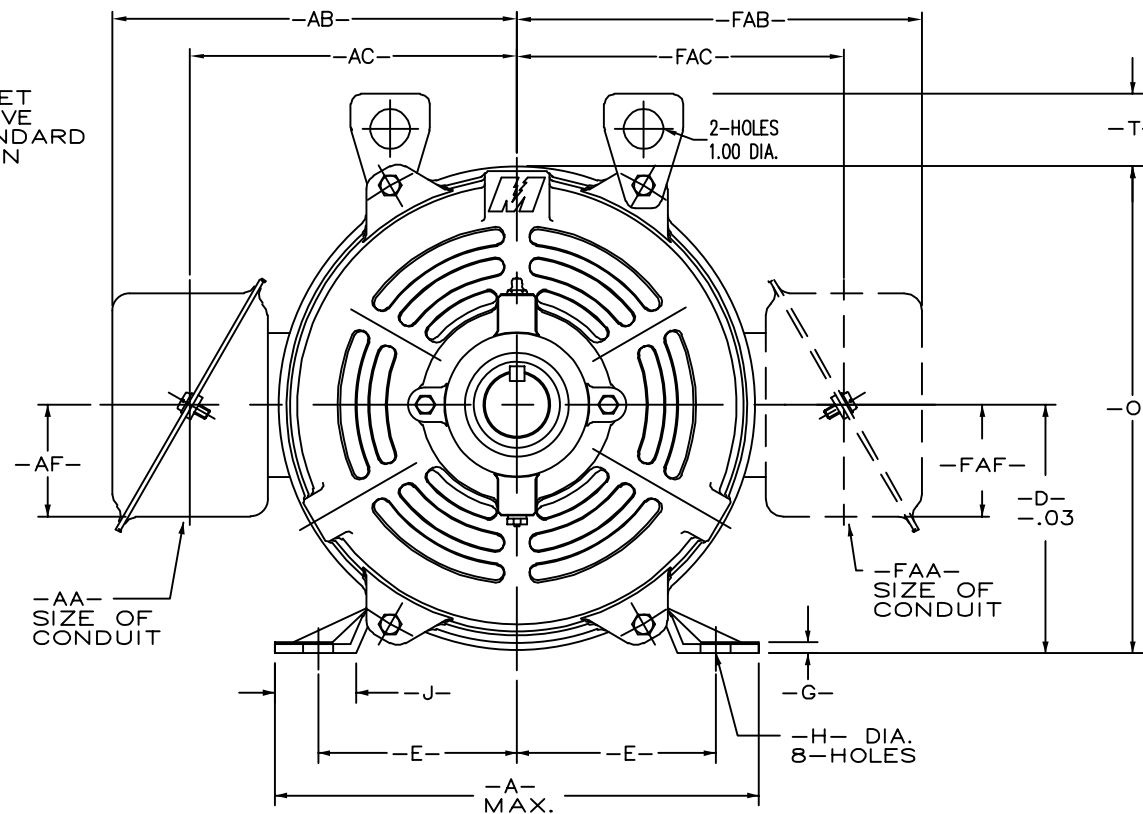
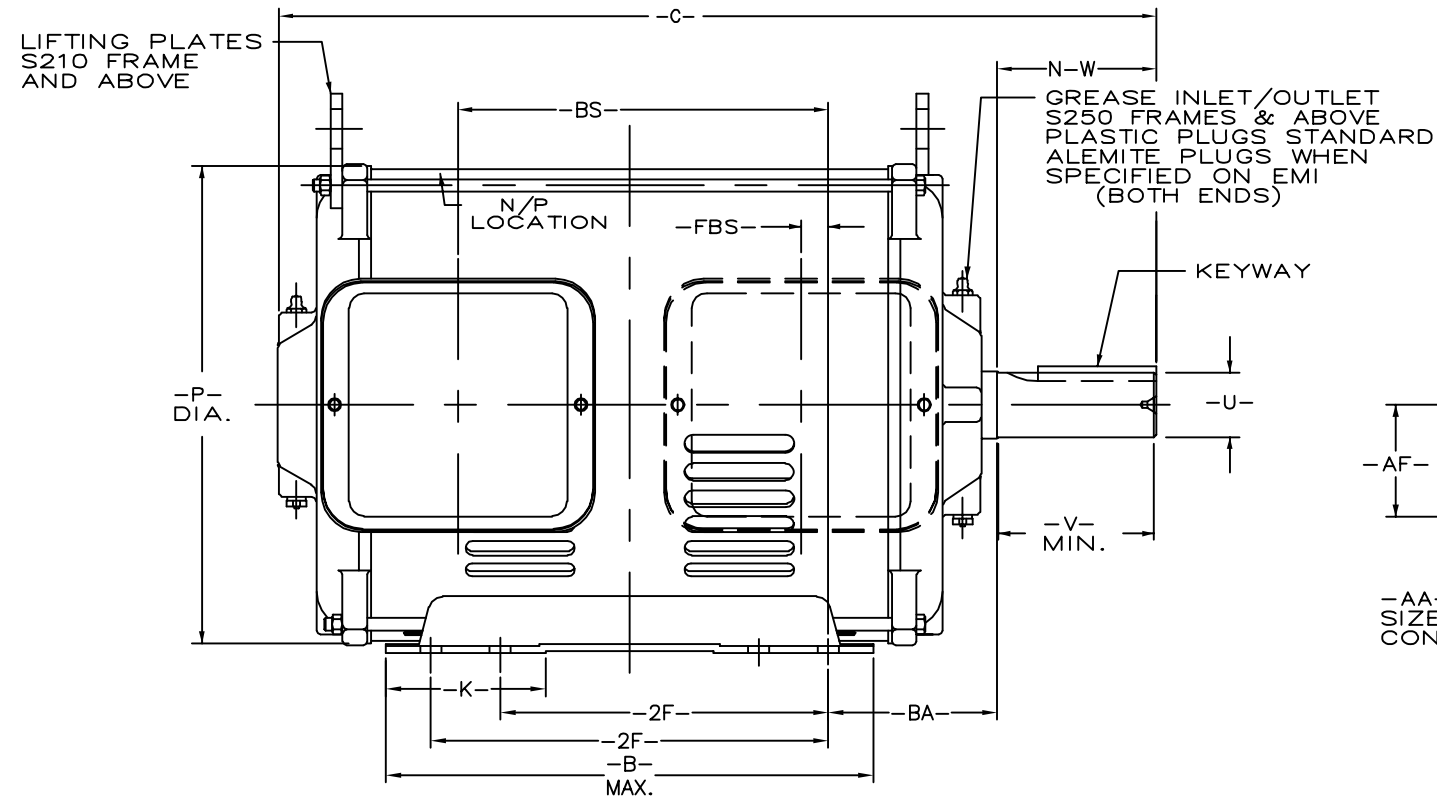


REV	ECO	REV BY	DATE	APPD	DATE
H	0003152	ccontr	12-13-2008	C. CONTRERAS	12-13-2008



FRAME	TERMINAL BOX F1 MTG					TERMINAL BOX F2 MTG					-BA-
	-AA-	-AB-	-AC-	-AF-	-BS-	-FAA-	-FAB-	-FAC-	-FAF-	-FBS-	
S180	3/4	7.63	5.94	2.50	4.94	3/4	7.00	5.63	2.16	0.56	2.75
S210	1	7.63	5.94	2.50	7.38	1	7.00	5.63	2.16	0.19	3.50
S250	1-1/4	10.19	8.16	2.81	9.32	1-1/4	10.19	8.25	2.85	0.68	4.25
G250	1-1/4	10.19	8.16	2.81	11.07	1-1/4	10.19	8.25	2.85	0.68	4.25
S280	1-1/2	10.19	8.16	2.81	10.32	1-1/2	10.19	8.25	2.85	0.68	4.75

-U- DIM.	TOL. ON -U- DIM.	SHAFT RUNOUT
OVERUP TO 1.500	+0.0000	TO 1.625
OVERDOWN TO 1.500	-0.0005	TO .002
	+0.000	TO 1.625
	-0.001	TO .003

CERTIFICATION OF A.C. MOTORS
 CERTIFIED FOR _____ CERTIFICATION
 SPEC. NO. _____ ORDER NO. _____ NO. _____
 ORDER I.D. _____ I.D. NO. _____ EMI EMI
 TYPE _____ TYPE _____ FRAME _____ FRAME _____ H.P.H.P.
 R.P.M. RPM _____ VOLTS _____ VOLTS _____ PHASE PHASE
 HERTZ HERTZ _____ AMPS _____ AMPS _____ CODE _____
 REMARKS _____ REMARKS
 REMARKS2 _____
 APPROVED BY _____ APPROVED BY _____ DATE: DATE

FRAME	KEYWAY			-A-	-B-	-C-	-D-	-E-	-2F-	-G-	-H-	-J-	-K-	N-W	-O-	-P-	-T-	-U-	-V-
	WIDTH	DEPTH	LENGTH																
S182T	0.250	0.125	2.50	9.00	7.75	13.65	4.500	3.750	4.500	0.164	.406	1.48	2.93	2.75	8.78	8.53	----	1.125	2.75
S184T	0.250	0.125	2.50	9.00	7.75	13.65	4.500	3.750	5.500	0.164	.406	1.48	2.93	2.75	8.78	8.53	----	1.125	2.75
S213T	0.312	0.156	3.13	10.00	10.75	17.28	5.250	4.250	5.500	0.180	.406	1.58	3.43	3.38	9.53	8.57	1.77	1.375	3.25
S215T	0.312	0.156	3.13	10.00	10.75	17.28	5.250	4.250	7.000	0.180	.406	1.58	3.43	3.38	9.53	8.57	1.77	1.375	3.25
S254T	0.375	0.188	3.75	12.18	12.25	22.12	6.250	5.000	8.250	0.194	.531	2.06	4.06	4.00	12.25	12.00	1.82	1.625	3.88
G256T	0.375	0.188	3.75	12.18	12.25	23.85	6.250	5.000	8.250	0.194	.531	2.06	4.06	4.00	12.25	12.00	1.82	1.625	3.88
S256T	0.375	0.188	3.75	12.18	12.25	22.12	6.250	5.000	0.000	0.194	.531	2.06	4.06	4.00	12.25	12.00	1.82	1.625	3.88
S284T	0.500	0.250	4.38	12.75	13.25	24.25	7.000	5.500	9.500	0.194	.531	1.81	3.81	4.62	13.00	12.00	1.82	1.875	4.50
S284TS	0.375	0.188	3.00	12.75	13.25	22.88	7.000	5.500	9.500	0.194	.531	1.81	3.81	3.25	13.00	12.00	1.82	1.625	3.12
S286T	0.500	0.250	4.38	12.75	13.25	24.25	7.000	5.500	11.000	0.194	.531	1.81	3.81	4.62	13.00	12.00	1.82	1.875	4.50
S286TS	0.375	0.188	3.00	12.75	13.25	22.88	7.000	5.500	11.000	0.194	.531	1.81	3.81	3.25	13.00	12.00	1.82	1.625	3.12

800114
 800112
 ENG. REF.

GEOMETRIC CHARACTERISTICS & SYMBOLS
 ▭ FLATNESS
 - STRAIGHTNESS
 ∠ ANGULARITY
 ⊥ PERPENDICULARITY (SQUARENESS)
 // PARALLELISM
 ○ ROUNDNESS (CIRCULARITY)
 ∅ CYLINDRICITY
 △ PROFILE OF ANY SURFACE
 ∩ PROFILE OF ANY LINE
 ↗ RUNOUT
 ⊕ TRUE POSITION
 ⊙ CONCENTRICITY
 = SYMMETRY

UNLESS OTHERWISE SPECIFIED
 DIM. TOLERANCES ARE AS FOLLOWS:
 INCH X XX XXX XXXX
 mm ±0.5 ±0.13 ±0.013
 ANG. ±50 DEG
 REMOVE BURRS & BREAK SHARP EDGES:
 INCH .003-.015 mm 0.1-0.4
 CORNER FILLETS TO:
 INCH .020 mm 0.5
 MACHINE SURFACES:
 INCH 125 mm 3.2
 METRIC DIMS. SHOWN IN [BRACKETS]

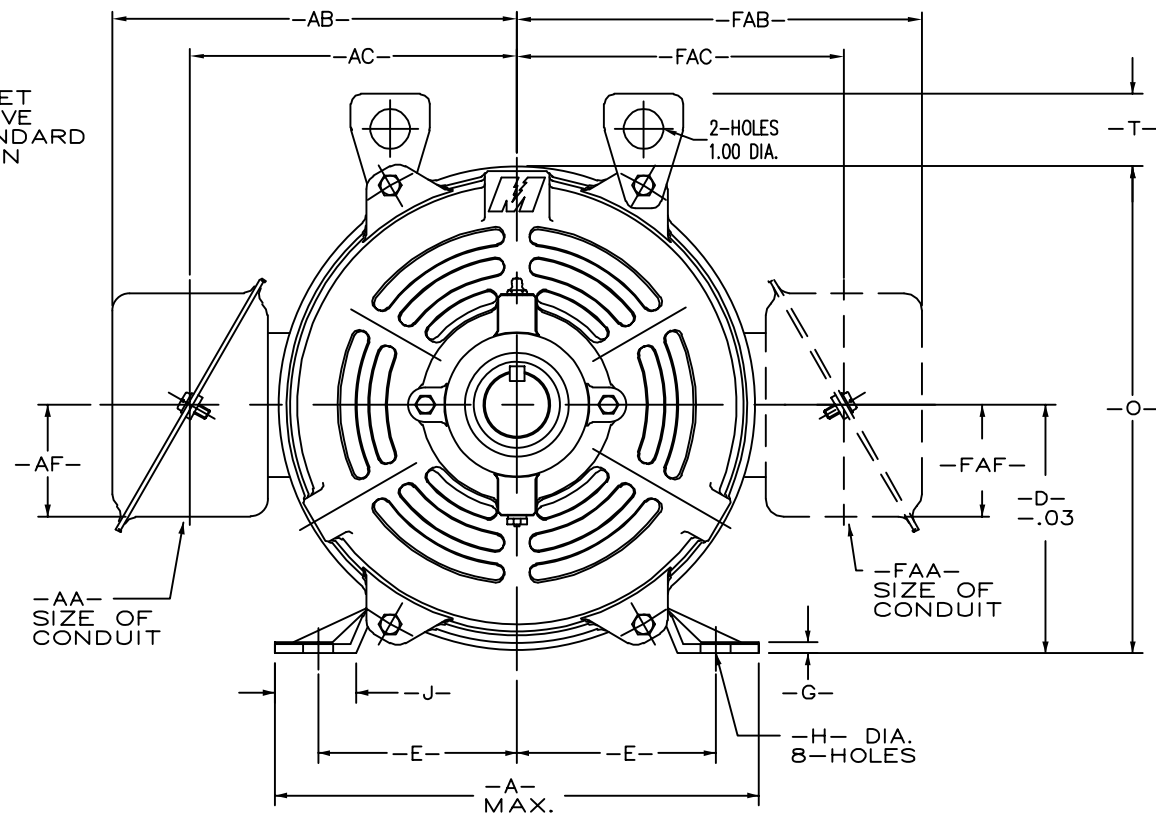
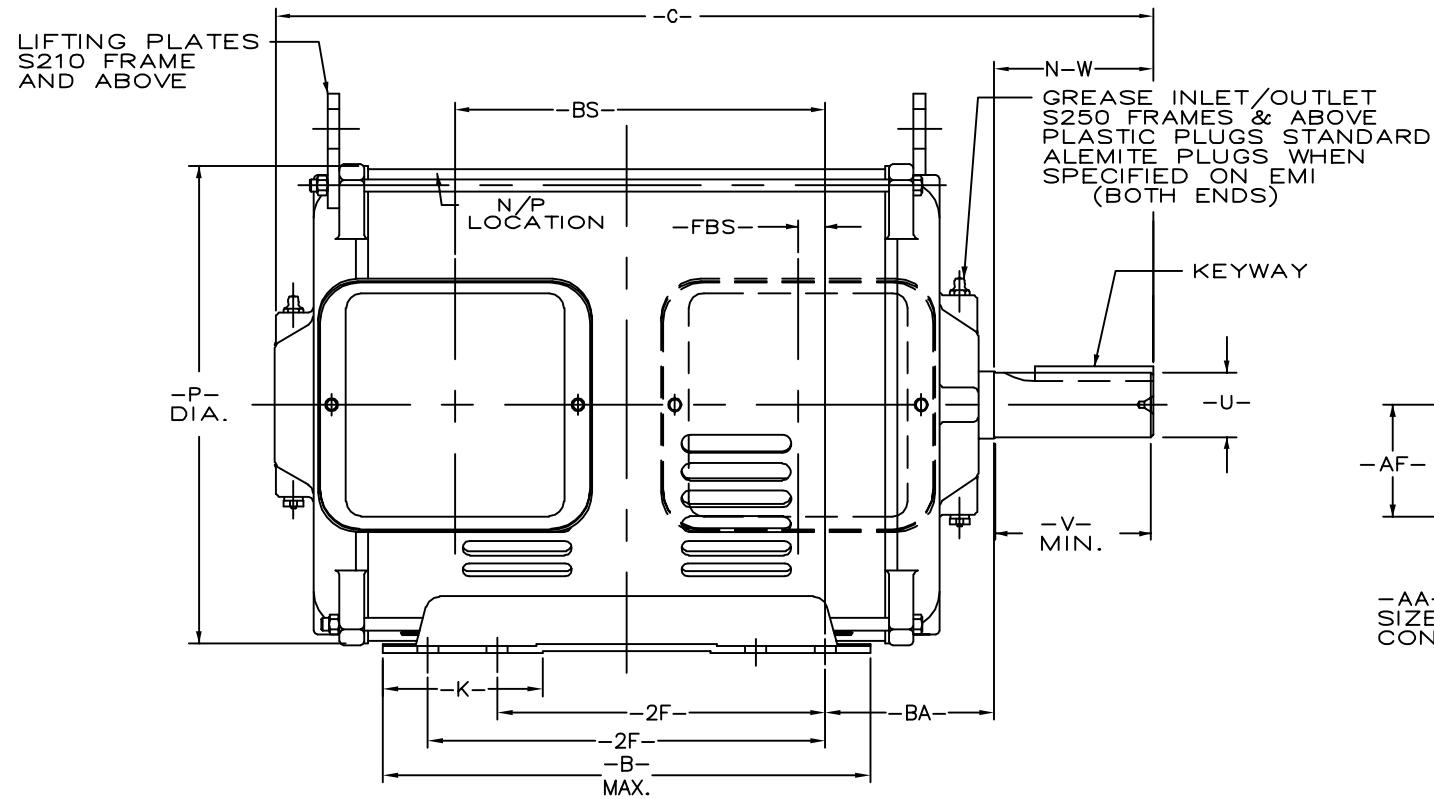
DR BY: SBC 04-25-1994
 APPD: MAS 04-25-1994
 THIRD ANGLE PROJECTION
 EDS DATE EDS DATE
 FORMAT REV F
 CONFIDENTIAL: THIS DRAWING AND ITS INFORMATION ARE THE EXCLUSIVE AND CONFIDENTIAL PROPERTY OF A.O. SMITH CORP. AND ARE NOT TO BE DISCLOSED, DUPLICATED, DISTRIBUTED OR OTHERWISE USED WITHOUT THE WRITTEN CONSENT OF A.O. SMITH CORP.
 -ALL RIGHTS RESERVED. ASME Y14.5M 1994



ELECTRICAL PRODUCTS COMPANY
 A DIVISION OF A. O. SMITH CORPORATION

DESCRIPTION
 MOT-S180/S280 F1/F2 STD T
 SIZE C DWG NO 80009201
 SCALE NONE SHEET 1

REVISION:	ECO	REVISADO POR:	FECHA:	APROBADO POR:	FECHA:
H	0003152	ccontr	12-13-2008	C. CONTRERAS	12-13-2008



FRAME	TERMINAL BOX F1 MTG					TERMINAL BOX F2 MTG					-BA-
	-AA-	-AB-	-AC-	-AF-	-BS-	-FAA-	-FAB-	-FAC-	-FAF-	-FBS-	
S180	3/4	7.63	5.94	2.50	4.94	3/4	7.00	5.63	2.16	0.56	2.75
S210	1	7.63	5.94	2.50	7.38	1	7.00	5.63	2.16	0.19	3.50
S250	1-1/4	10.19	8.16	2.81	9.32	1-1/4	10.19	8.25	2.85	0.68	4.25
G250	1-1/4	10.19	8.16	2.81	11.07	1-1/4	10.19	8.25	2.85	0.68	4.25
S280	1-1/2	10.19	8.16	2.81	10.32	1-1/2	10.19	8.25	2.85	0.68	4.75

OVERUP TO	-U- DIM.	TOL. ON -U- DIM.	SHAFT RUNOUT
1.500		+0.0000 -0.0005	1.625 .002
1.500		+0.000 -0.001	1.625 .003

CERTIFICATION OF A.C. MOTORS
 CERTIFIED FOR _____ CERTIFICATION
 SPEC. NO. _____ ORDER NO. _____ NO. _____
 ORDER I.D. _____ I.D. NO. _____ EMI EMI
 TYPE _____ TYPE _____ FRAME _____ FRAME _____ H.P.H.P.
 R.P.M. RPM _____ VOLTS _____ VOLTS _____ PHASE PHASE
 HERTZ HERTZ _____ AMPS _____ AMPS _____ CODE _____
 REMARKS _____ REMARKS
 REMARKS2 _____
 APPROVED BY _____ APPROVED BY _____ DATE: DATE

FRAME	KEYWAY			-A-	-B-	-C-	-D-	-E-	-2F-	-G-	-H-	-J-	-K-	N-W	-O-	-P-	-T-	-U-	-V-
	WIDTH	DEPTH	LENGTH																
S182T	0.250	0.125	2.50	9.00	7.75	13.65	4.500	3.750	4.500	0.164	.406	1.48	2.93	2.75	8.78	8.53	----	1.125	2.75
S184T	0.250	0.125	2.50	9.00	7.75	13.65	4.500	3.750	5.500	0.164	.406	1.48	2.93	2.75	8.78	8.53	----	1.125	2.75
S213T	0.312	0.156	3.13	10.00	10.75	17.28	5.250	4.250	5.500	0.180	.406	1.58	3.43	3.38	9.53	8.57	1.77	1.375	3.25
S215T	0.312	0.156	3.13	10.00	10.75	17.28	5.250	4.250	7.000	0.180	.406	1.58	3.43	3.38	9.53	8.57	1.77	1.375	3.25
S254T	0.375	0.188	3.75	12.18	12.25	23.12	6.250	5.000	8.250	0.194	.531	2.06	4.06	4.00	12.25	12.00	1.82	1.625	3.88
G256T	0.375	0.188	3.75	12.18	12.25	23.85	6.250	5.000	8.250	0.194	.531	2.06	4.06	4.00	12.25	12.00	1.82	1.625	3.88
S256T	0.375	0.188	3.75	12.18	12.25	22.12	6.250	5.000	0.000	0.194	.531	2.06	4.06	4.00	12.25	12.00	1.82	1.625	3.88
S284T	0.500	0.250	4.38	12.75	13.25	24.25	7.000	5.500	9.500	0.194	.531	1.81	3.81	4.62	13.00	12.00	1.82	1.875	4.50
S284TS	0.375	0.188	3.00	12.75	13.25	22.88	7.000	5.500	9.500	0.194	.531	1.81	3.81	3.25	13.00	12.00	1.82	1.625	3.12
S286T	0.500	0.250	4.38	12.75	13.25	24.25	7.000	5.500	11.000	0.194	.531	1.81	3.81	4.62	13.00	12.00	1.82	1.875	4.50
S286TS	0.375	0.188	3.00	12.75	13.25	22.88	7.000	5.500	11.000	0.194	.531	1.81	3.81	3.25	13.00	12.00	1.82	1.625	3.12

800114
800112
ENG. REF.

CARACTERISTICAS DE GEOMETRIA Y SIMBOLOS
 ▽ PLANICIDAD
 — RECTITUD
 ∠ ANGULARIDAD
 ⊥ PERPENDICULARIDAD (A ESCUADRA)
 // PARALELISMO
 ○ REDONDEZ (CIRCULARIDAD)
 ∅ CILINDRICIDAD
 △ PERFIL DE CUALQUIER SUPERFICIE
 ∩ PERFIL DE CUALQUIER LINEA
 ↗ VARIACION
 ⊕ POSICION REAL
 ⊙ CONCENTRICIDAD
 = SIMETRIA

A MENOS QUE SE ESPECIFIQUE DE OTRA MANERA, LAS TOLERANCIAS DE LAS DIMS; SON LAS SIGUIENTES:
 PULG ±.1 ±.02 ±.005 ±.0005
 mm ±0.5 ±0.13 ±0.013
 ANG. ±50 GRADOS
 ELIMINAR REBABAS Y ORILLAS FILOSAS DEL BORDE.
 PULG .003-.015 mm 0.1-0.4
 FILETEAR ESQUINA: PULG .020 mm 0.5
 MAQUINAR SUPERFICIES
 PULG 125 mm 3.2
 DIMS METRICAS MOSTRADAS [PARENTESIS]

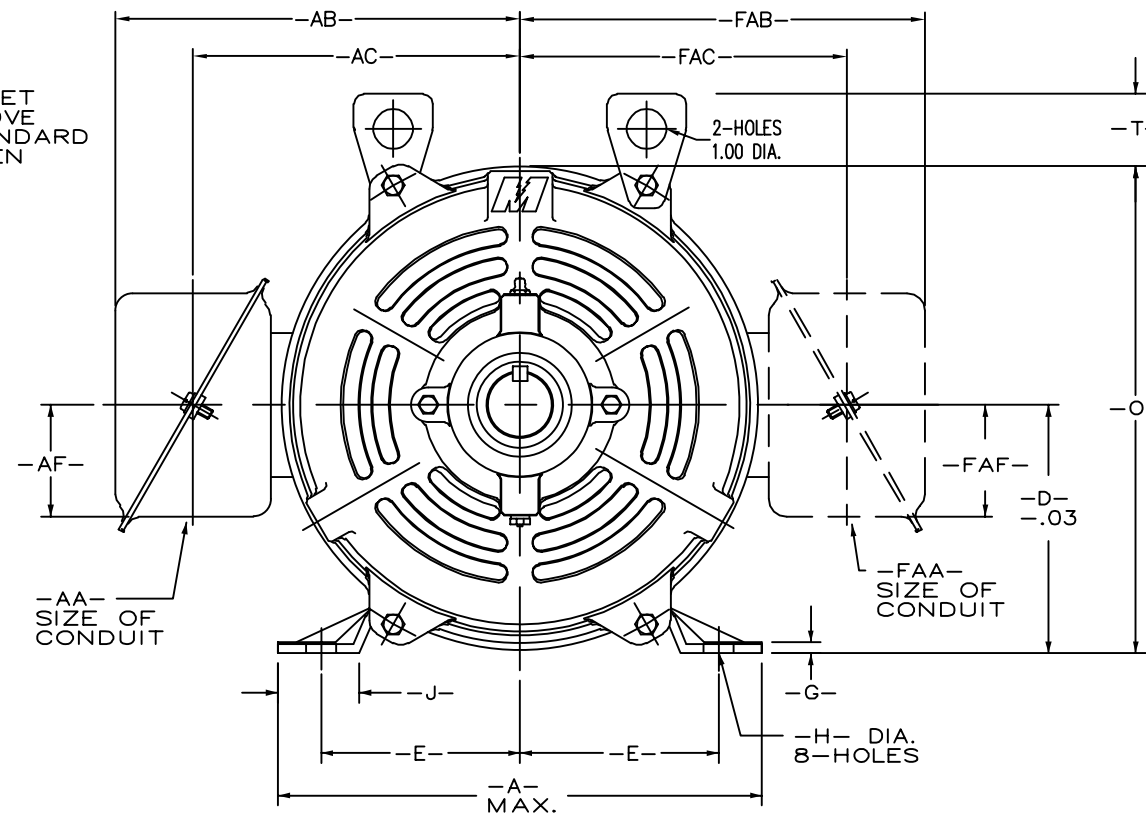
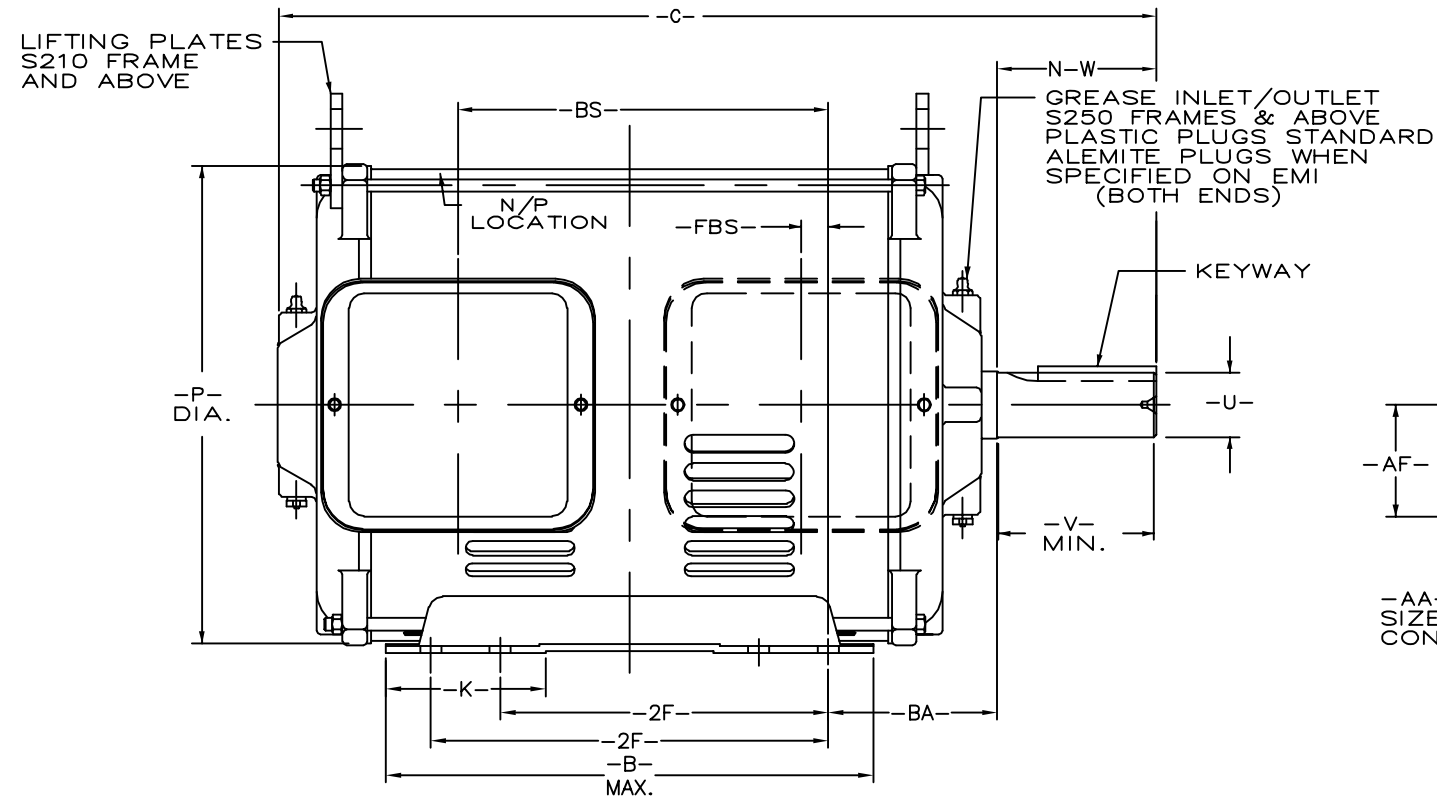
DIBUJADO POR: SBC 04-25-1994
 APROBADO POR: MAS 04-25-1994
 TERCER ANGULO DE PROYECCION
 CONFIDENCIAL: ESTE DIBUJO Y SU INFORMACION SON PROPIEDAD DE USO EXCLUSIVO Y CONFIDENCIAL DE A.O.SMITH CORP. Y NO DEBERAN SER REVELADOS, DUPLICADOS, DISTRIBUIDOS O USARSE DE OTRA MANERA SIN EL CONSENTIMIENTO ESCRITO DE A.O. SMITH CORP.
 -TODOS LOS DERECHOS RESERVADOS.ASME Y14.5M 1994

ACSmith **ELECTRICAL PRODUCTS COMPANY**
 Innovation has a name. A DIVISION OF A. O. SMITH CORPORATION

DESCRIPCION: **OUTLINE**
MOT-S180/S280 F1/F2 STD T

TAMAÑO: C NUMERO DE DIBUJO: 80009201
 ESCALA:NONE HOJA: 1

版本	ECO	编制	日期	批准	日期
H	0003152	ccontr	12-13-2008	C. CONTRERAS	12-13-2008



FRAME	TERMINAL BOX F1 MTG					TERMINAL BOX F2 MTG					-BA-
	-AA-	-AB-	-AC-	-AF-	-BS-	-FAA-	-FAB-	-FAC-	-FAF-	-FBS-	
S180	3/4	7.63	5.94	2.50	4.94	3/4	7.00	5.63	2.16	0.56	2.75
S210	1	7.63	5.94	2.50	7.38	1	7.00	5.63	2.16	0.19	3.50
S250	1-1/4	10.19	8.16	2.81	9.32	1-1/4	10.19	8.25	2.85	0.68	4.25
G250	1-1/4	10.19	8.16	2.81	11.07	1-1/4	10.19	8.25	2.85	0.68	4.25
S280	1-1/2	10.19	8.16	2.81	10.32	1-1/2	10.19	8.25	2.85	0.68	4.75

OVERUP TO	-U- DIM.	TOL. ON -U- DIM.	SHAFT RUNOUT
1.500		+0.0000 -0.0005	1.625 .002
1.500		+0.000 -0.001	1.625 .003

CERTIFICATION OF A.C. MOTORS
 CERTIFIED FOR _____ CERTIFICATION
 SPEC. NO. _____ ORDER NO. _____ NO. _____
 ORDER I.D. _____ I.D. NO. _____ EMI EMI
 TYPE _____ TYPE _____ FRAME _____ FRAME _____ H.P.H.P.
 R.P.M. RPM _____ VOLTS _____ VOLTS _____ PHASE PHASE
 HERTZ HERTZ _____ AMPS _____ AMPS _____ CODE _____
 REMARKS _____ REMARKS
 REMARKS2 _____
 APPROVED BY _____ APPROVED BY _____ DATE: DATE _____

FRAME	KEYWAY			-A-	-B-	-C-	-D-	-E-	-2F-	-G-	-H-	-J-	-K-	N-W	-O-	-P-	-T-	-U-	-V-
	WIDTH	DEPTH	LENGTH																
S182T	0.250	0.125	2.50	9.00	7.75	13.65	4.500	3.750	4.500	0.164	.406	1.48	2.93	2.75	8.78	8.53	----	1.125	2.75
S184T	0.250	0.125	2.50	9.00	7.75	13.65	4.500	3.750	5.500	0.164	.406	1.48	2.93	2.75	8.78	8.53	----	1.125	2.75
S213T	0.312	0.156	3.13	10.00	10.75	17.28	5.250	4.250	5.500	0.180	.406	1.58	3.43	3.38	9.53	8.57	1.77	1.375	3.25
S215T	0.312	0.156	3.13	10.00	10.75	17.28	5.250	4.250	7.000	0.180	.406	1.58	3.43	3.38	9.53	8.57	1.77	1.375	3.25
S254T	0.375	0.188	3.75	12.18	12.25	22.12	6.250	5.000	8.250	0.194	.531	2.06	4.06	4.00	12.25	12.00	1.82	1.625	3.88
G256T	0.375	0.188	3.75	12.18	12.25	23.85	6.250	5.000	8.250	0.194	.531	2.06	4.06	4.00	12.25	12.00	1.82	1.625	3.88
S256T	0.375	0.188	3.75	12.18	12.25	22.12	6.250	5.000	0.000	0.194	.531	2.06	4.06	4.00	12.25	12.00	1.82	1.625	3.88
S284T	0.500	0.250	4.38	12.75	13.25	24.25	7.000	5.500	9.500	0.194	.531	1.81	3.81	4.62	13.00	12.00	1.82	1.875	4.50
S284TS	0.375	0.188	3.00	12.75	13.25	22.88	7.000	5.500	9.500	0.194	.531	1.81	3.81	3.25	13.00	12.00	1.82	1.625	3.12
S286T	0.500	0.250	4.38	12.75	13.25	24.25	7.000	5.500	11.000	0.194	.531	1.81	3.81	4.62	13.00	12.00	1.82	1.875	4.50
S286TS	0.375	0.188	3.00	12.75	13.25	22.88	7.000	5.500	11.000	0.194	.531	1.81	3.81	3.25	13.00	12.00	1.82	1.625	3.12

S00114
 S00112
 ENG. REF.

形位公差
 □ 平面度
 - 直线度
 < 倾斜度
 ⊥ 垂直度
 // 平行度
 ○ 圆度
 ⊙ 圆柱度
 △ 面轮廓度
 △ 线轮廓度
 〰 圆跳动
 ⊕ 位置度
 ⊗ 同轴度
 ≡ 对称度

除另有注明
 尺寸公差如下:
 英寸 X XX XXX XXXX
 毫米 ±0.1 ±0.02 ±0.005 ±0.0005
 毫米 ±0.5 ±0.13 ±0.013
 角度 ±.50 度
 清理毛刺和尖棱
 英寸 .003-.015 毫米 0.1-0.4
 内圆角
 英寸 .020 毫米 0.5
 表面粗糙度
 英制 125 米制 3.2
 米制尺寸显示在 []

绘图: SBC 04-25-1994
 批准: MAS 04-25-1994
 第三角投影
 图纸格式发布日期 EDS DATE
 图纸格式版本 F
 机密: 本图纸及相关信息所有权归A. O. SMITH公司所有。
 未经A. O. SMITH公司书面授权, 不得泄露、复制、传播或作
 其他用途。—版权所有
 ASME Y14.5M 1994

ACSmith **ELECTRICAL PRODUCTS COMPANY**
 Innovation has a name. A DIVISION OF A. O. SMITH CORPORATION
 名称: MOT-S180/S280 F1/F2 STD T
 图幅: C 图号: 80009201
 比例: NONE 页号: 1