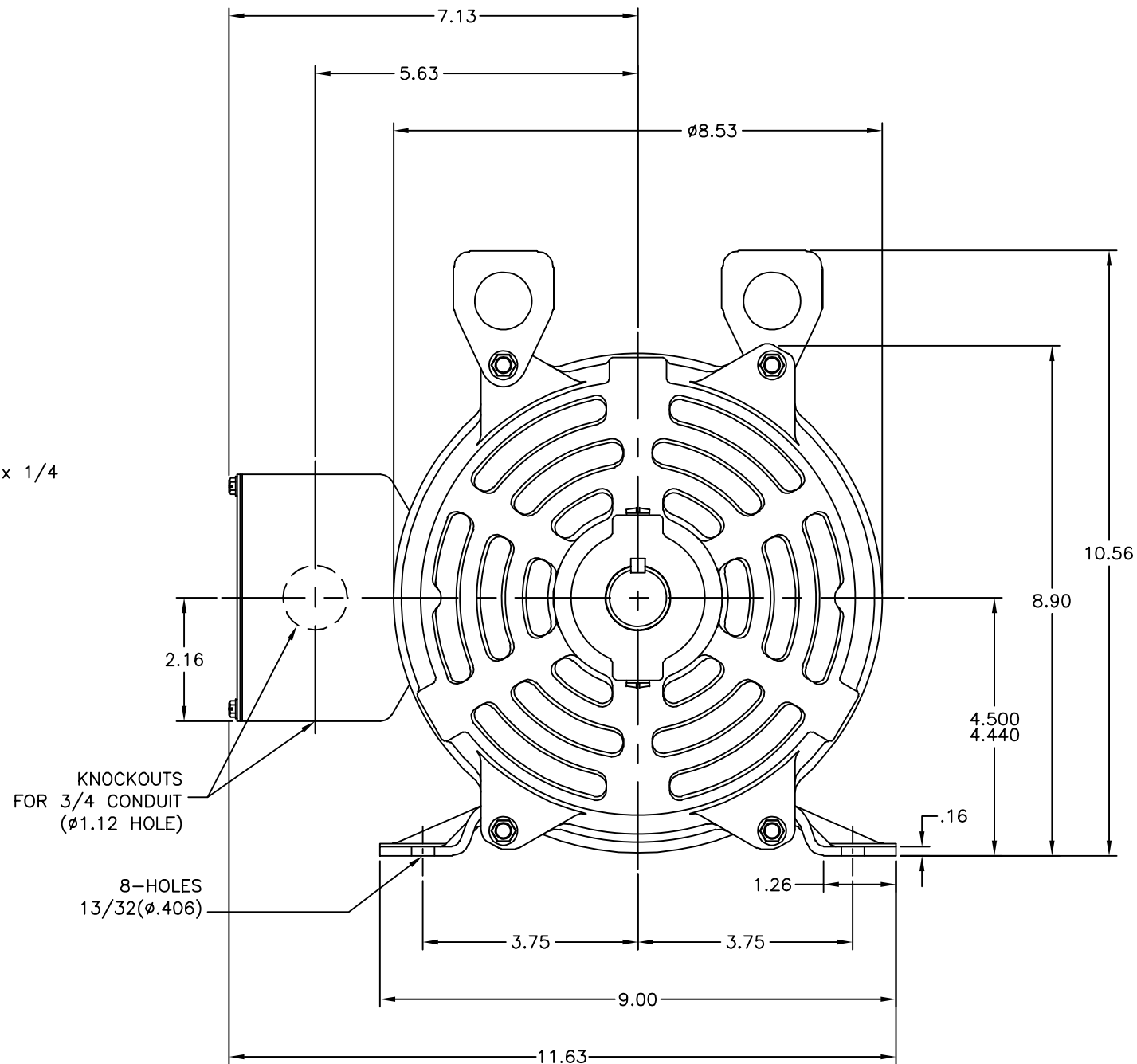
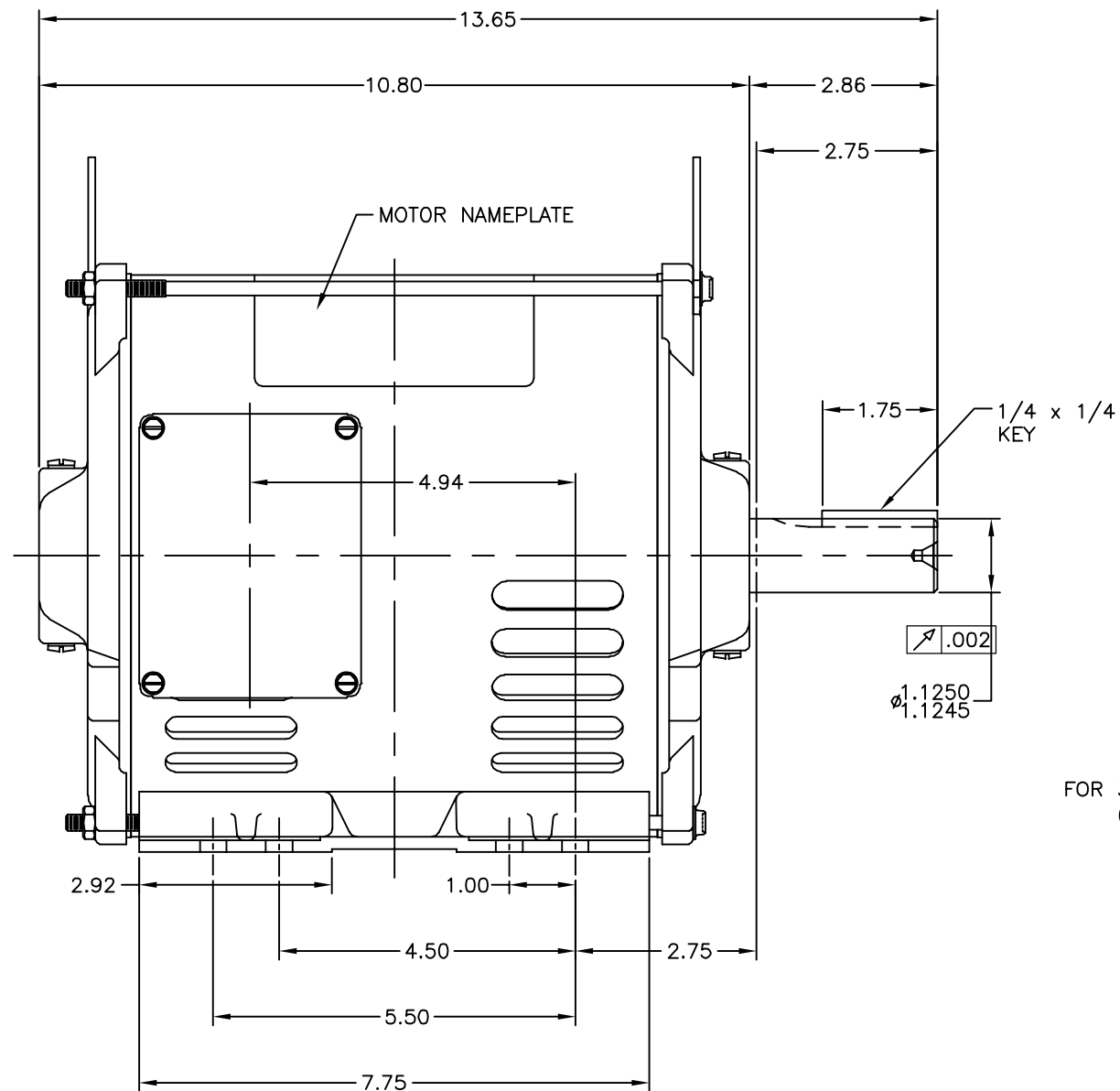


REV	ECO	REV BY	DATE	APPD	DATE
B	02801601	abaugh	02/19/2004	JAS	



- NOTES:
- 1- CONDUIT KNOCKOUTS ARE PROVIDED IN TERMINAL BOX TO ALLOW CONDUIT TO BE ATTACHED AT 6:00 O'CLOCK AND 3:00 O'CLOCK POSITION WITHOUT ROTATING THE BOX. TO PROVIDE ACCESS AT 12:00 O'CLOCK AND 9:00 O'CLOCK THE BOX MUST BE REMOVED, ROTATED 180', AND REATTACHED.
 - 2- MOTOR CAN BE CONVERTED FROM AN F1 TO AN F2 ASSEMBLY.
 - 3- MOTOR VENTILATION: AIR INTAKE THROUGH OPENINGS IN THE FACE OF EACH BRACKET AND THEN EXHAUSTED THROUGH THE SLOTS ON EACH END OF THE SHELL.

MOTOR DESCRIPTION:
 3 PHASE OPEN DRIPPROOF STEEL SHELL 182T OR 184T MOUNTING.
 OTHER MOUNTING ORIENTATIONS ARE ACCEPTABLE; HOWEVER WHEN MOUNTED OTHER THAN HORIZONTAL; MOTOR WILL NOT BE DRIPPROOF AS DEFINED BY NEMA.

CERTIFICATION OF A.C. MOTORS
 CERTIFIED FOR _____
 SPEC. NO. _____ ORDER NO. _____
 ORDER I.D. _____ EMI _____
 TYPE _____ FRAME _____ H.P. _____
 R.P.M. _____ VOLTS _____ PHASE _____
 HERTZ _____ AMPS _____ CODE _____
 REMARKS _____
 APPROVED BY _____ DATE: _____

GEOMETRIC CHARACTERISTICS & SYMBOLS

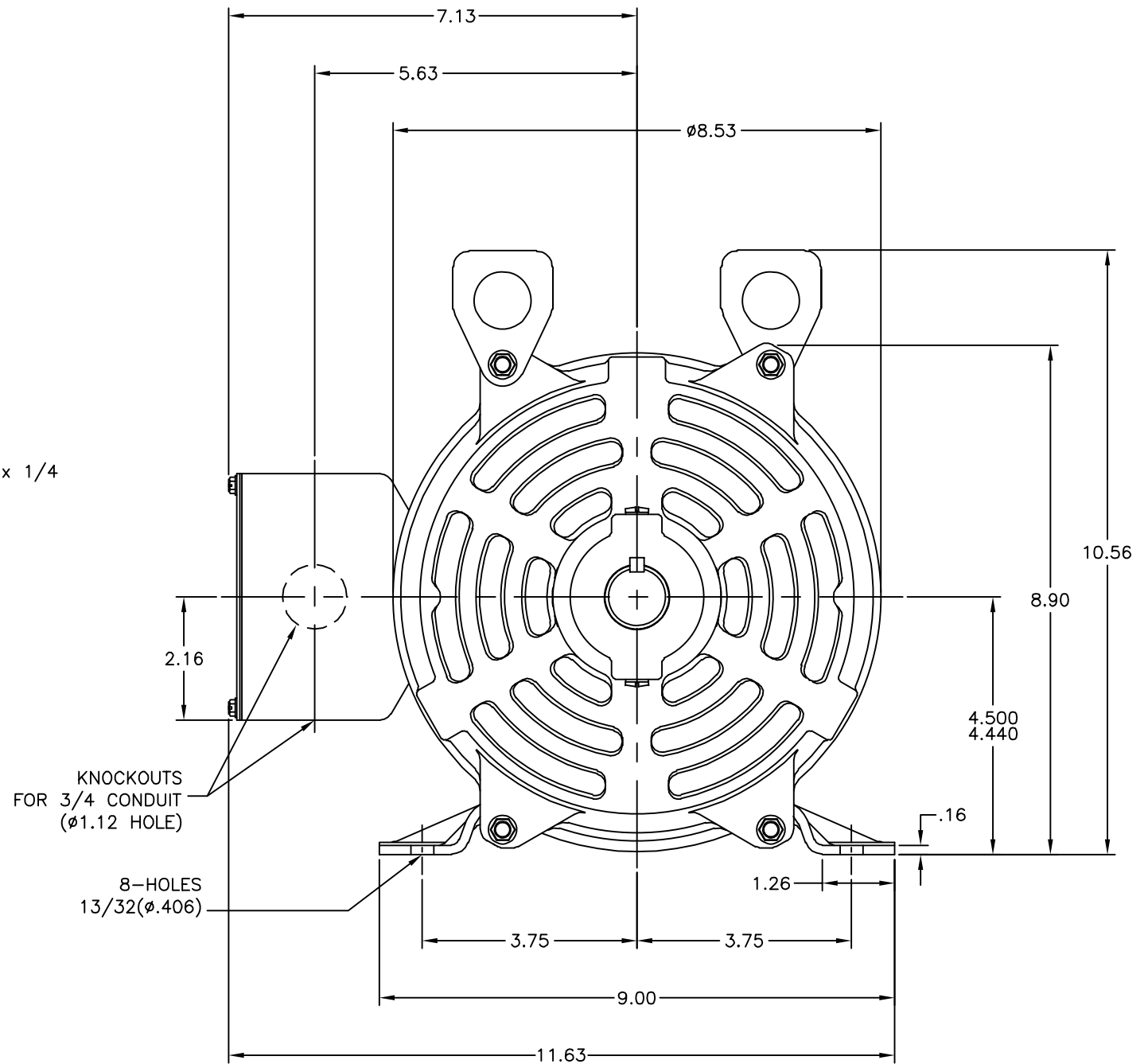
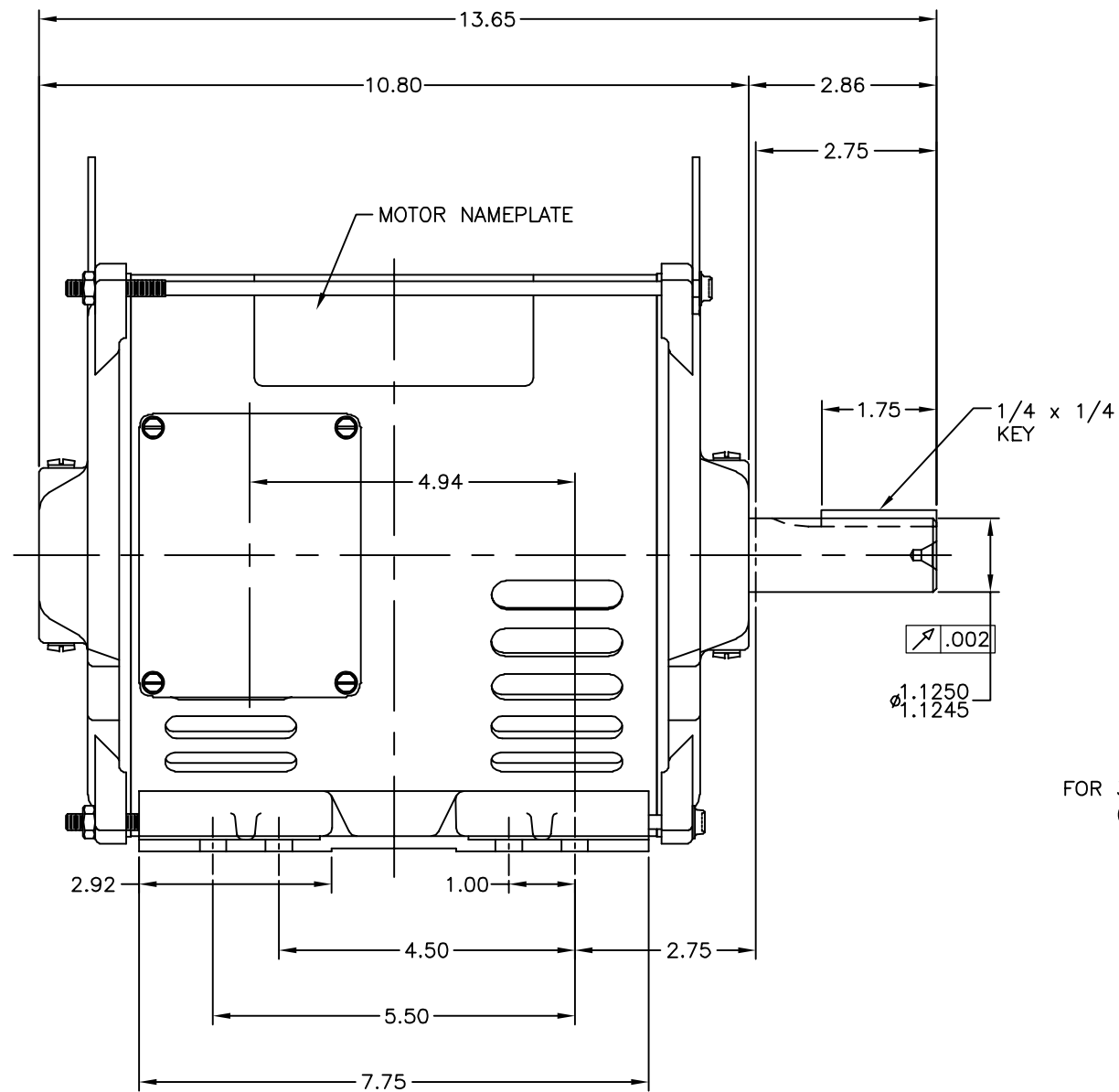
- FLATNESS
- STRAIGHTNESS
- ANGULARITY
- PERPENDICULARITY (SQUARENESS)
- PARALLELISM
- ROUNDNESS (CIRCULARITY)
- CYLINDRICITY
- PROFILE OF ANY SURFACE
- PROFILE OF ANY LINE
- RUNOUT
- TRUE POSITION
- CONCENTRICITY
- SYMMETRY

UNLESS OTHERWISE SPECIFIED DIM. TOLERANCES ARE AS FOLLOWS:
 INCH $\pm .1$ $\pm .02$ $\pm .005$ $\pm .0005$
 mm ± 0.5 ± 0.13 ± 0.013
 REMOVE BURRS FROM SHARP EDGES:
 INCH .005-0.1 mm 0.1-0.4
 CORNER FILLETS TO:
 INCH .020 mm 0.5
 MACHINE SURFACES:
 INCH 125 mm 3.2
 METRIC DIMS. SHOWN IN [BRACKETS]

DR BY:	AJB	12/17/2003
APPD:	PAW	12/17/2003
THIRD ANGLE PROJECTION		EDS DATE
		FORMAT REV F
CONFIDENTIAL: THIS DRAWING AND ITS INFORMATION ARE THE EXCLUSIVE AND CONFIDENTIAL PROPERTY OF A.O. SMITH CORP. AND ARE NOT TO BE DISCLOSED, DUPLICATED, DISTRIBUTED OR OTHERWISE USED WITHOUT THE WRITTEN CONSENT OF A.O. SMITH CORP.		
-ALL RIGHTS RESERVED. ASME Y14.5M 1994		

		ELECTRICAL PRODUCTS COMPANY A DIVISION OF A. O. SMITH CORPORATION	
DESCRIPTION S182T/S184T OUTLINE ODP EE STANDARD			
SIZE	D	DWG NO	18709201-001
SCALE	.75-1	SHEET	1

REVISION: ECO	REVISADO POR: abough	FECHA: 02/19/2004	APROBADO POR: JAS	FECHA:
B	02801601			



- NOTES:
- 1- CONDUIT KNOCKOUTS ARE PROVIDED IN TERMINAL BOX TO ALLOW CONDUIT TO BE ATTACHED AT 6:00 O'CLOCK AND 3:00 O'CLOCK POSITION WITHOUT ROTATING THE BOX. TO PROVIDE ACCESS AT 12:00 O'CLOCK AND 9:00 O'CLOCK THE BOX MUST BE REMOVED, ROTATED 180°, AND REATTACHED.
 - 2- MOTOR CAN BE CONVERTED FROM AN F1 TO AN F2 ASSEMBLY.
 - 3- MOTOR VENTILATION: AIR INTAKE THROUGH OPENINGS IN THE FACE OF EACH BRACKET AND THEN EXHAUSTED THROUGH THE SLOTS ON EACH END OF THE SHELL.

MOTOR DESCRIPTION:
 3 PHASE OPEN DRIPPROOF STEEL SHELL 182T OR 184T MOUNTING.
 OTHER MOUNTING ORIENTATIONS ARE ACCEPTABLE; HOWEVER WHEN MOUNTED OTHER THAN HORIZONTAL; MOTOR WILL NOT BE DRIPPROOF AS DEFINED BY NEMA.

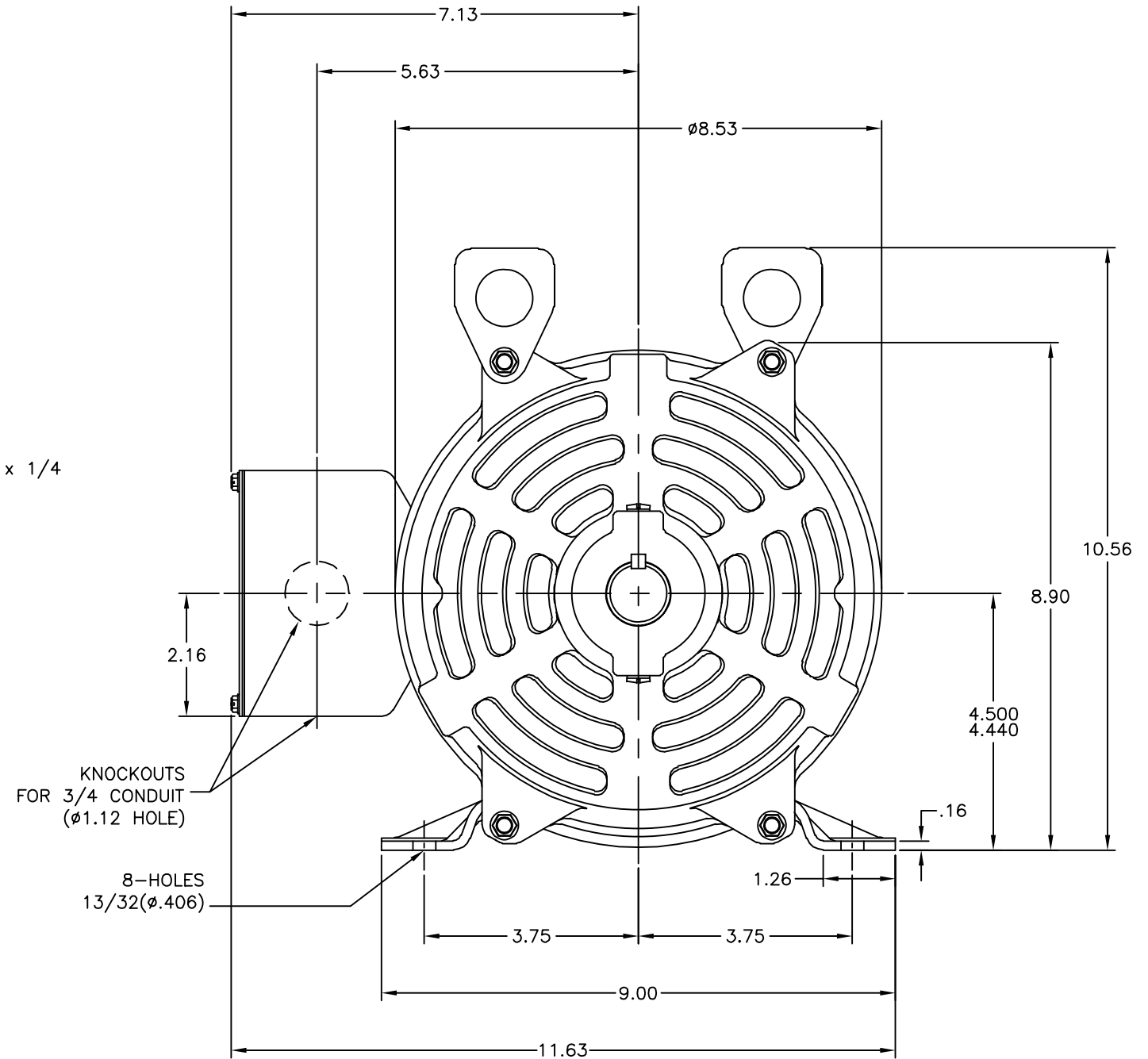
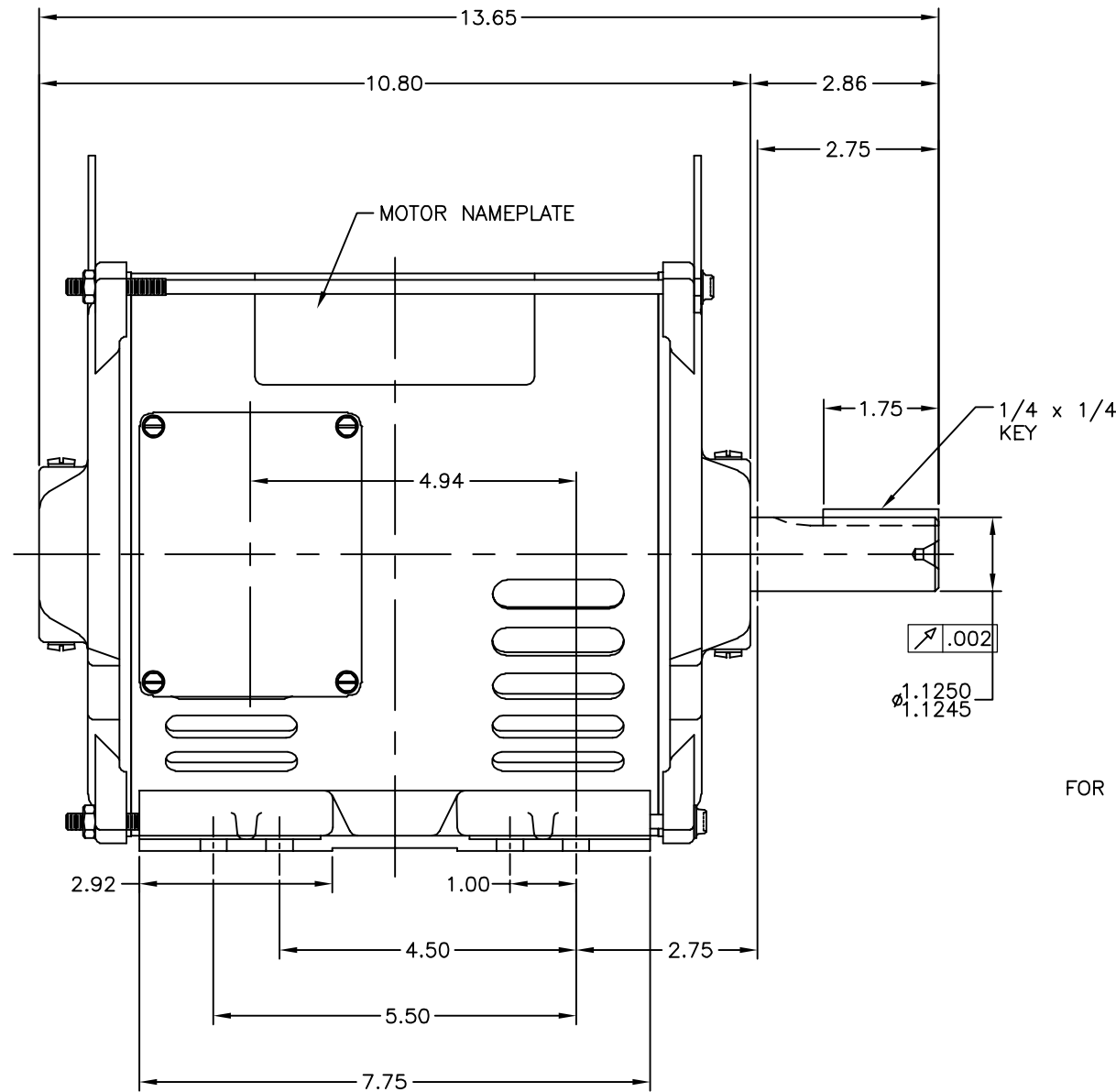
CERTIFICATION OF A.C. MOTORS
 CERTIFIED FOR _____
 SPEC. NO. _____ ORDER NO. _____
 ORDER I.D. _____ EMI _____
 TYPE _____ FRAME _____ H.P. _____
 R.P.M. _____ VOLTS _____ PHASE _____
 HERTZ _____ AMPS _____ CODE _____
 REMARKS _____
 APPROVED BY _____ DATE: _____

CARACTERÍSTICAS DE GEOMETRÍA Y SIMBOLOS: ▽ PLANICIDAD — RECTITUD < ANGULARIDAD ⊥ PERPENDICULARIDAD (A ESCUADRA) // PARALELISMO ○ REDONDEZ (CIRCULARIDAD) ∅ CILINDRICIDAD △ PERFIL DE CUALQUIER SUPERFICIE ▲ PERFIL DE CUALQUIER LINEA ↗ VARIACION ⊕ POSICION REAL ⊙ CONCENTRICIDAD = SIMETRIA	A MENOS QUE SE ESPECIFIQUE DE OTRA MANERA, LAS TOLERANCIAS DE LAS DIMS; SON LAS SIGUIENTES: PULG ±.1 .xx .xxx .xxxx mm ±0.5 .13 .005 ±.0005 ANG. ±.50 GRAS. ELIMINAR REEBALOS, ORILLAS, FILOSAS DEL BORDE. PULG .003-.015 mm 0.1-0.4 FILETEAR ESQUINA: PULG .020 mm 0.5 MAQUINAR SUPERFICIES PULG 125 mm 3.2 DIMS METRICAS MOSTRADAS [PARENTESIS]	DIBUJADO POR: AJB 12/17/2003 APROBADO POR: PAW 12/17/2003 TERCER ANGULO DE PROYECCION FECHA EDS: REV. FORMATO: F	DESCRIPCION: S182T/S184T OUTLINE ODP EE STANDARD TAMAÑO: D NUMERO DE DIBUJO: 18709201-001 ESCALA: 75-1 HOJA: 1
--	--	--	---

DIBUJADO POR: AJB 12/17/2003 APROBADO POR: PAW 12/17/2003 TERCER ANGULO DE PROYECCION FECHA EDS: REV. FORMATO: F	DESCRIPCION: S182T/S184T OUTLINE ODP EE STANDARD TAMAÑO: D NUMERO DE DIBUJO: 18709201-001 ESCALA: 75-1 HOJA: 1
--	---



版本	ECO	编制	日期	批准	日期
B	02801601	abaugh	02/19/2004	JAS	.



- NOTES:
- 1- CONDUIT KNOCKOUTS ARE PROVIDED IN TERMINAL BOX TO ALLOW CONDUIT TO BE ATTACHED AT 6:00 O'CLOCK AND 3:00 O'CLOCK POSITION WITHOUT ROTATING THE BOX. TO PROVIDE ACCESS AT 12:00 O'CLOCK AND 9:00 O'CLOCK THE BOX MUST BE REMOVED, ROTATED 180', AND REATTACHED.
 - 2- MOTOR CAN BE CONVERTED FROM AN F1 TO AN F2 ASSEMBLY.
 - 3- MOTOR VENTILATION: AIR INTAKE THROUGH OPENINGS IN THE FACE OF EACH BRACKET AND THEN EXHAUSTED THROUGH THE SLOTS ON EACH END OF THE SHELL.

MOTOR DESCRIPTION:
 3 PHASE OPEN DRIPPROOF STEEL SHELL 182T OR 184T MOUNTING.
 OTHER MOUNTING ORIENTATIONS ARE ACCEPTABLE; HOWEVER WHEN MOUNTED OTHER THAN HORIZONTAL; MOTOR WILL NOT BE DRIPPROOF AS DEFINED BY NEMA.

CERTIFICATION OF A.C. MOTORS
 CERTIFIED FOR _____
 SPEC. NO. _____ ORDER NO. _____
 ORDER I.D. _____ EMI _____
 TYPE _____ FRAME _____ H.P. _____
 R.P.M. _____ VOLTS _____ PHASE _____
 HERTZ _____ AMPS _____ CODE _____
 REMARKS _____
 APPROVED BY _____ DATE: _____

形位公差	除另有注明	除另有注明
尺寸公差	尺寸公差如下:	尺寸公差如下:
平面度	XX XXX XXXX	XX XXX XXXX
直线度	英寸 $\pm .1$ $\pm .02$ $\pm .005$ $\pm .0005$	英寸 $\pm .1$ $\pm .02$ $\pm .005$ $\pm .0005$
倾斜度	毫米 ± 0.5 ± 0.13 ± 0.13	毫米 ± 0.5 ± 0.13 ± 0.13
垂直度	角度 $\pm .50$ 度	角度 $\pm .50$ 度
平行度	清理毛刺和尖棱	清理毛刺和尖棱
圆度	英寸 $\pm .003$ $\pm .015$ 毫米 0.1-0.4	英寸 $\pm .003$ $\pm .015$ 毫米 0.1-0.4
圆柱度	内圆角	内圆角
圆跳动	英寸 $\pm .020$ 毫米 0.5	英寸 $\pm .020$ 毫米 0.5
面轮廓度	表面粗糙度	表面粗糙度
线轮廓度	英寸 $\sqrt{125}$ 米制 $\sqrt{3.2}$	英寸 $\sqrt{125}$ 米制 $\sqrt{3.2}$
位置度	米制尺寸显示在 []	米制尺寸显示在 []
同轴度		
对称度		

绘图:	AJB	12/17/2003
批准:	PAW	12/17/2003
第三角投影		图框格式发布日期
		图框格式版本 F
机密: 本图纸及相关信息所有版权归 A. O. SMITH 公司所有。未经 A. O. SMITH 公司书面授权, 不得泄露、复制、传播或作其他用途。一版权所有		
ASME Y14.5M 1994		

ELECTRICAL PRODUCTS COMPANY <small>A DIVISION OF A. O. SMITH CORPORATION</small>	
名称	S182T/S184T OUTLINE ODP EE STANDARD
图幅	D
图号	18709201-001
比例	.75-1
页号	1