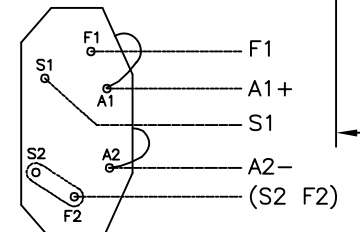
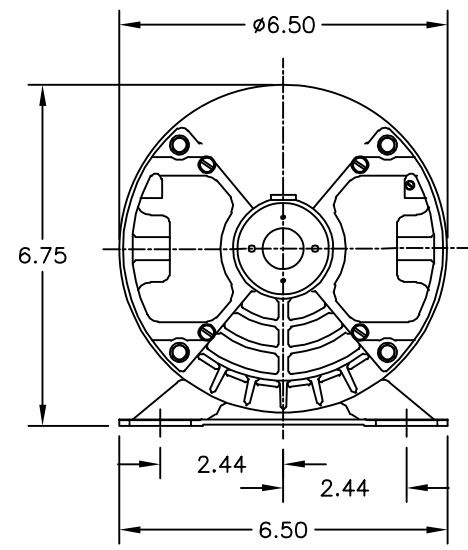
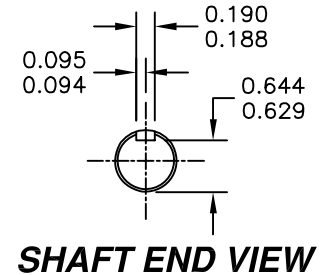
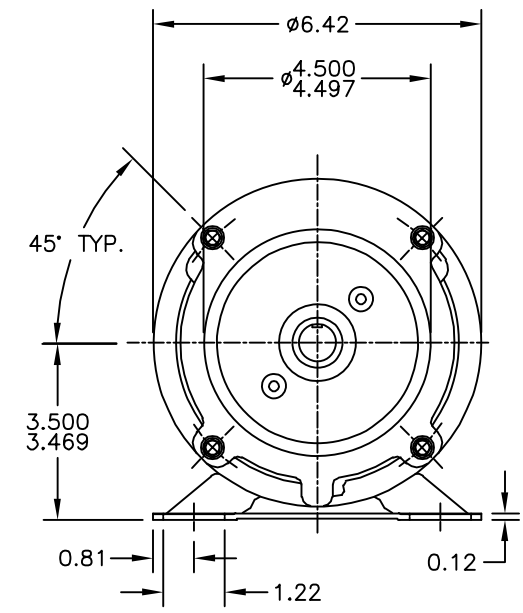
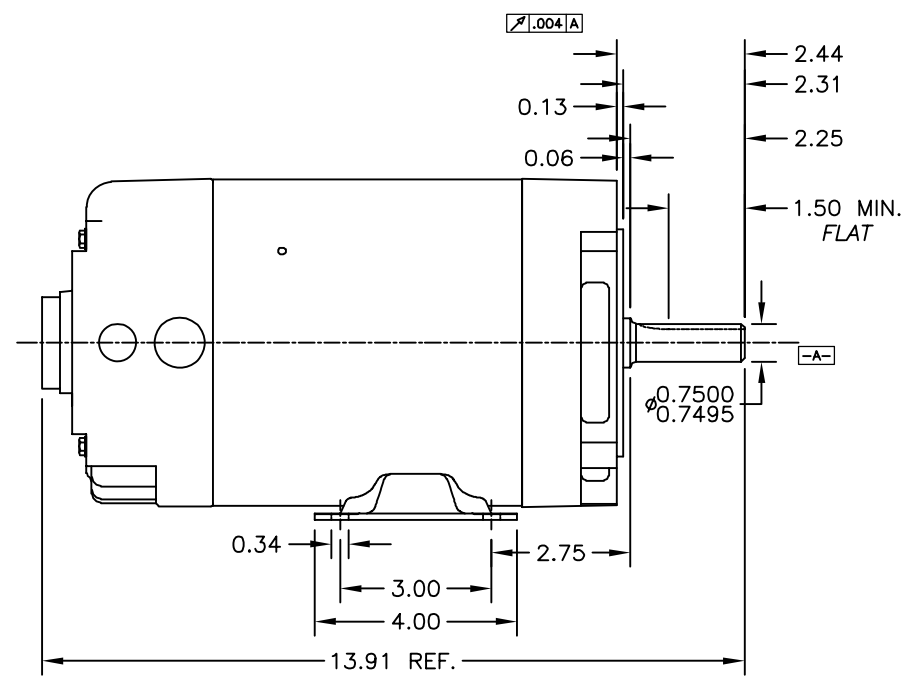


REV	ECO	REV BY	DATE	APPD	DATE
C	0014049	AJB	04-28-2010	AJB	04-28-2010

EMI: 21741600 INSUL CLASS: B FLD VOLTS: *** DC DSGN NO: 20743901 AMB TEMP: 40
 TYPE: DN RPM: 1140 ARM AMPS: 2.25 FORM FACTOR: *** SPEC NO: 50202/02
 PRE: L CAT NO: D004 FLD AMPS: *** ARM WDG NO: 20645501 ENCL: DP
 BASIC: 56C HP: 1/2 POLE COMB: 2-1 FLD WDG NO: 20645601 MODEL NO: ***
 FORM: MHC ARM VOLTS: 230 DC WDG TYPE: COMP DUTY: CONT CUSTOMER: ***



CONNECTIONS SHOWN ARE FOR COUNTER CLOCKWISE ROTATION WHEN VIEWED FROM COMM. END
 TO REVERSE DIRECTION OF ROTATION INTERCHANGE LEADS A1 AND A2
SCHMATIC



GEOMETRIC CHARACTERISTICS & SYMBOLS

- STRAIGHTNESS
- ∠ ANGULARITY
- ⊥ PERPENDICULARITY (SQUARENESS)
- // PARALLELISM
- ROUNDNESS (CIRCULARITY)
- ⊘ CYLINDRICITY
- △ PROFILE OF ANY SURFACE
- ⌒ PROFILE OF ANY LINE
- ↑ RUNOUT
- ⊕ TRUE POSITION
- ◎ CONCENTRICITY
- ≡ SYMMETRY

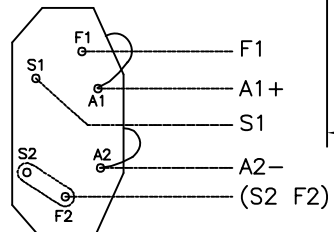
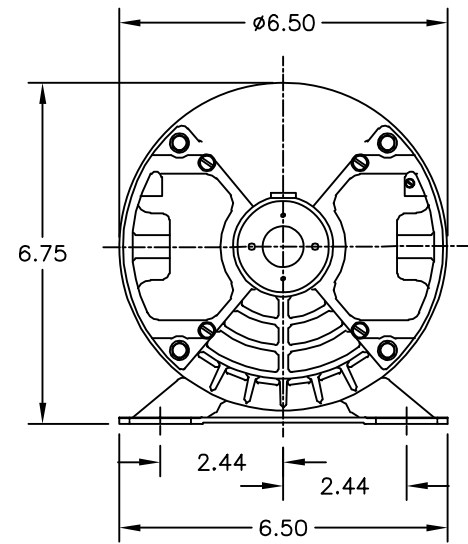
UNLESS OTHERWISE SPECIFIED
 DIM. TOLERANCES ARE AS FOLLOWS:
 INCH X XX XXX XXXX
 INCH ±.1 ±.02 ±.005 ±.0005
 mm ±0.5 ±0.13 ±0.013
 ANG. ±.50 DEG
 REMOVE BURRS & BREAK SHARP EDGES:
 INCH .003-.015 mm 0.1-0.4
 CORNER FILLETS TO:
 INCH .020 mm 0.5
 MACHINE SURFACES:
 INCH 1/25 mm 3.2
 METRIC DIMS. SHOWN IN [BRACKETS]

DR BY:	MS	11-26-1998
APPD:	RM	04-29-2004
THIRD ANGLE PROJECTION		EDS DATE 02-22-2008 FORMAT REV F
CONFIDENTIAL: THIS DRAWING AND ITS INFORMATION ARE THE EXCLUSIVE AND CONFIDENTIAL PROPERTY OF A.O. SMITH CORP. AND ARE NOT TO BE DISCLOSED, DUPLICATED, DISTRIBUTED OR OTHERWISE USED WITHOUT THE WRITTEN CONSENT OF A.O. SMITH CORP. -ALL RIGHTS RESERVED. ASME Y14.5M 1994		

		ELECTRICAL PRODUCTS COMPANY <small>A DIVISION OF A. O. SMITH CORPORATION</small>	
DESCRIPTION OUTLINE			
SIZE C	DWG NO D004	SHEET 1	
SCALE NONE			

REVISION:	ECO	REVISADO POR:	FECHA:	APROBADO POR:	FECHA:
C	0014049	AJB	04-28-2010	AJB	04-28-2010

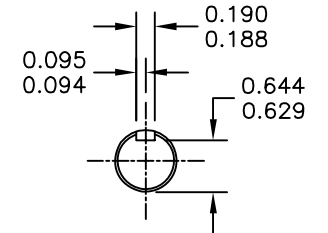
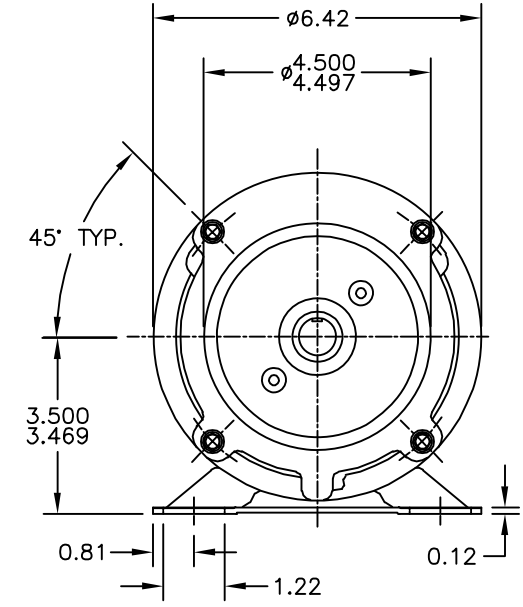
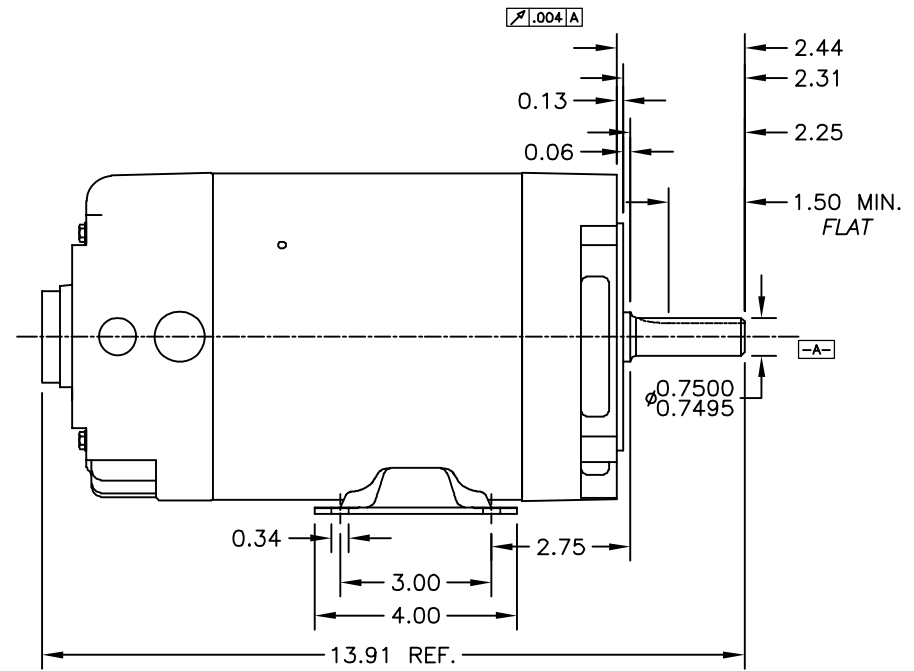
EMI: 21741600	INSUL CLASS: B	FLD VOLTS: ***	DC DSGN NO: 20743901	AMB TEMP: 40
TYPE: DN	RPM: 1140	ARM AMPS: 2.25	FORM FACTOR: ***	SPEC NO: 50202/02
PRE: L	CAT NO: D004	FLD AMPS: ***	ARM WDG NO: 20645501	ENCL: DP
BASIC: 56C	HP: 1/2	POLE COMB: 2-1	FLD WDG NO: 20645601	MODEL NO: ***
FORM: MHC	ARM VOLTS: 230	DC WDG TYPE: COMP	DUTY: CONT	CUSTOMER: ***



CONNECTIONS SHOWN ARE FOR COUNTER CLOCKWISE ROTATION WHEN VIEWED FROM COMM. END

TO REVERSE DIRECTION OF ROTATION INTERCHANGE LEADS A1 AND A2

SCHMATIC



SHAFT END VIEW

CARACTERISTICAS DE GEOMETRIA Y SIMBOLOS

- RECTITUD
- ∠ ANGULARIDAD
- ⊥ PERPENDICULARIDAD (A ESCUADRA)
- // PARALELISMO
- REDONDEZ (CIRCULARIDAD)
- ⊘ CILINDRICIDAD
- △ PERFIL DE CUALQUIER SUPERFICIE
- ∩ PERFIL DE CUALQUIER LINEA
- ↑ VARIACION
- ⊕ POSICION REAL
- ◎ CONCENRICIDAD
- ≡ SIMETRIA

A MENOS QUE SE ESPECIFIQUE DE OTRA MANERA, LAS TOLERANCIAS DE LAS DIMS; SON LAS SIGUIENTES:

PULG	±.1	±.02	±.005	±.0005
mm	±0.5	±0.13	±0.013	
ANG.	±.50	GRADOS		

ELIMINAR REBABAS Y ORILLAS FILOSAS DEL BORDE.

FILETEAR ESQUINA: PULG .020 mm 0.5

MAQUINAR SUPERFICIES

PULG (25 mm) 3.2

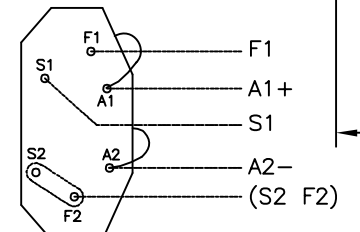
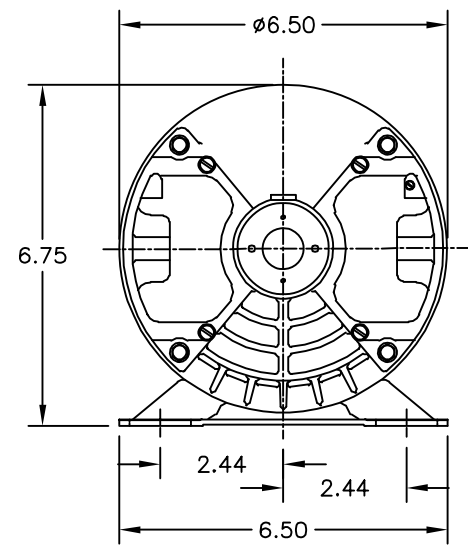
DIMS METRICAS MOSTRADAS [PARENTESIS]

DIBUJADO POR:	MS	11-26-1998
APROBADO POR:	RM	04-29-2004
TERCER ANGULO DE PROYECCION		FECHA EDS: 02-22-2008 REV. FORMATO: F
CONFIDENCIAL: ESTE DIBUJO Y SU INFORMACION SON PROPIEDAD DE USO EXCLUSIVO Y CONFIDENCIAL DE A.O.SMITH CORP. Y NO DEBERAN SER REVELADOS, DUPLICADOS, DISTRIBUIDOS O USARSE DE OTRA MANERA SIN EL CONSENTIMIENTO ESCRITO DE A.O. SMITH CORP. -TODOS LOS DERECHOS RESERVADOS. ASME Y14.5M 1994		

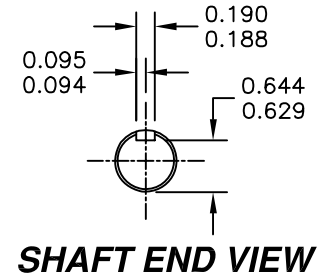
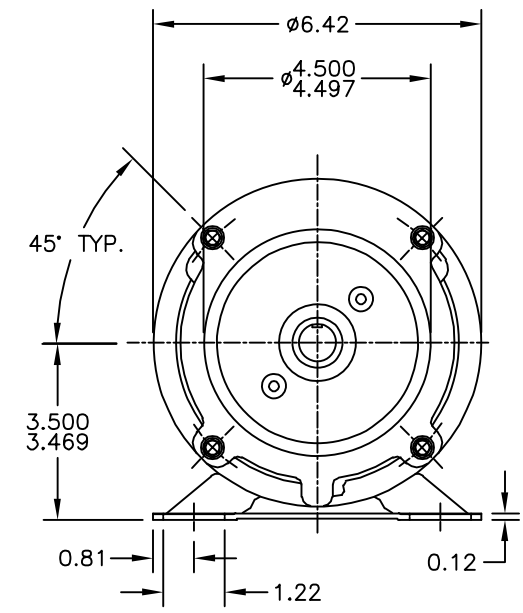
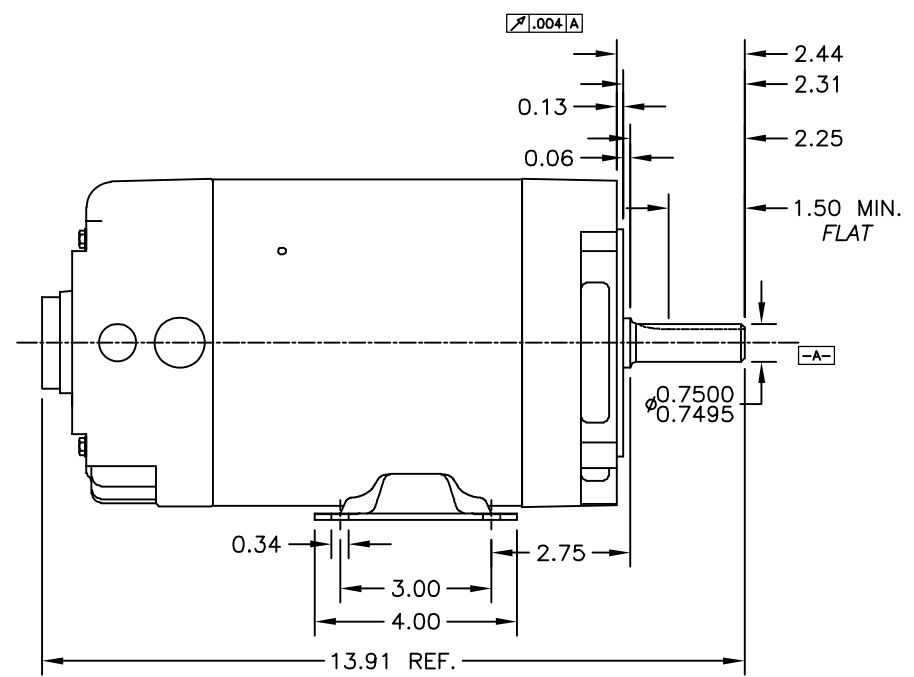
		ELECTRICAL PRODUCTS COMPANY
A DIVISION OF A. O. SMITH CORPORATION		
DESCRIPCION: OUTLINE		
TAMAÑO: C	NUMERO DE DIBUJO: D004	
ESCALA: NONE		HOJA: 1

版本	ECO	编制	日期	批准	日期
C	0014049	AJB	04-28-2010	AJB	04-28-2010

EMI: 21741600	INSUL CLASS: B	FLD VOLTS: ***	DC DSGN NO: 20743901	AMB TEMP: 40
TYPE: DN	RPM: 1140	ARM AMPS: 2.25	FORM FACTOR: ***	SPEC NO: 50202/02
PRE: L	CAT NO: D004	FLD AMPS: ***	ARM WDG NO: 20645501	ENCL: DP
BASIC: 56C	HP: 1/2	POLE COMB: 2-1	FLD WDG NO: 20645601	MODEL NO: ***
FORM: MHC	ARM VOLTS: 230	DC WDG TYPE: COMP	DUTY: CONT	CUSTOMER: ***



CONNECTIONS SHOWN ARE FOR COUNTER CLOCKWISE ROTATION WHEN VIEWED FROM COMM. END
 TO REVERSE DIRECTION OF ROTATION INTERCHANGE LEADS A1 AND A2
SCHMATIC



形位公差
□ 平面度
— 直线度
∠ 倾斜度
⊥ 垂直度
// 平行度
○ 圆度
⊘ 圆柱度
△ 面轮廓度
⌒ 线轮廓度
↗ 圆跳动
⊕ 位置度
◎ 同轴度
≡ 对称度

除另有注明
 尺寸公差如下:
 英寸 X XX XXX XXXX
 毫米 ±0.1 ±0.02 ±0.005 ±0.0005
 毫米 ±0.5 ±0.13 ±0.013
 角度 ±.50 度
 清理毛刺和尖棱
 英寸 .003-.015 毫米 0.1-0.4
 内圆角
 英寸 .020 毫米 0.5
 表面粗糙度
 英寸 12.5 毫米 3.2
 米制尺寸显示在 ()

绘图:	MS	11-26-1998
批准:	RM	04-29-2004
第三角投影		图纸格式发布日期 02-22-2008 图纸格式版本 F
机密: 本图纸及相关信息所有权归A. O. SMITH公司所有。未经A. O. SMITH公司书面授权, 不得泄露、复制、传播或作其他用途。一版权所有		
ASME Y14.5M 1994		

		ELECTRICAL PRODUCTS COMPANY A DIVISION OF A. O. SMITH CORPORATION	
名称 OUTLINE			
图幅 C	图号 D004		
比例 NONE		页号 1	