

	REV	DATE	PROJECT	DESCRIPTION	REV BY	APPD
	B	04/16/2004	00995503	UPDATE FORMAT	mramir	RM

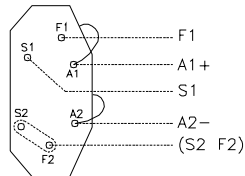
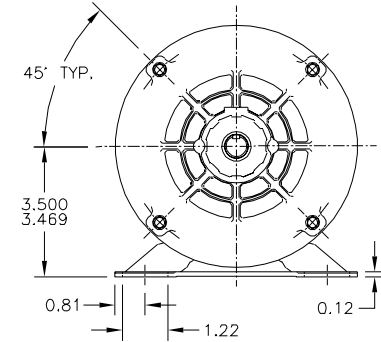
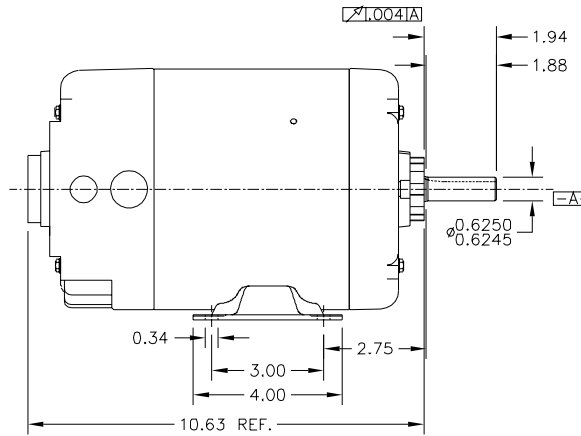
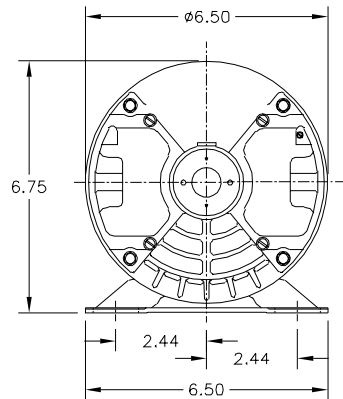
EMI: 21736200
 TYPE: DN
 PRE: K
 BASIC: 56
 FORM: MHE

INSUL CLASS: B
 RPM: 1200
 CAT NO: D003
 HP: 1/4
 ARM VOLTS: 230

FLD VOLTS: ***
 ARM AMPS: 1.16
 FLD AMPS: ***
 POLE COMB: 2-1
 DC WDG TYPE: COMPD

DC DSGN NO: 20761903
 FORM FACTOR: ***
 ARM WDG NO: 20650301
 FLD WDG NO: 20657301
 DUTY: 30MIN

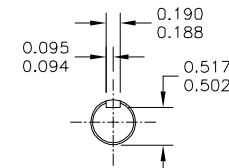
AMB TEMP: 40
 SPEC NO: 57990/01
 ENCL: TENV
 MODEL NO: ***
 CUSTOMER: ***



CONNECTIONS SHOWN ARE FOR COUNTER CLOCKWISE ROTATION WHEN VIEWED FROM COMM. END

TO REVERSE DIRECTION OF ROTATION INTERCHANGE LEADS A1 AND A2

SCHEMATIC



SHAFT END VIEW

CLASS NO.:	UNLESS OTHERWISE SPECIFIED DIM ARE IN INCHES .X = ± .1 .XX = ± .02 .XXX = ± .005 .XXXX = ± .0005 ANG = ± .5	DR BY: MASA	11/26/98	A.O. SMITH ELECTRICAL PRODUCTS COMPANY 11PP CITY, OHIO	A DIVISION OF A. O. SMITH CORPORATION COPYRIGHT 1995	
CONTROL CODE:	CONFIDENTIAL: THIS DRAWING AND ITS INFORMATION ARE THE EXCLUSIVE AND CONFIDENTIAL PROPERTY OF A.O. SMITH CORP. AND ARE NOT TO BE DISCLOSED, DUPLICATED, DISTRIBUTED OR OTHERWISE USED WITHOUT THE WRITTEN CONSENT OF A.O. SMITH CORP. -ALL RIGHTS RESERVED.	CK BY:	04/30/2004	TITLE CATALOG MOTOR		
		APPD:	04/16/2004			
			ISS:	11/26/98	SIZE	DWG NO
AUTOCAD FORM 3		THIRD ANGLE PROJECTION		L	D003	REV B
				SCALE	1:1	SHEET 1 OF 1