

PRODUCT INFORMATION PACKET



Model No: 5KCR49ZN2722Y
Catalog No: 9038B
Air Compressor Motor, 5 HP, 1 Ph, 60 Hz, 230 V, 56H Frame, DP



Regal and LEESON are trademarks of Regal Rexnord Corporation or one of its affiliated companies.
©2025 Regal Rexnord Corporation, All Rights Reserved. MC017097E





Nameplate Specifications

Phase	1	Output HP	5 Hp
Output KW	3.7 kW	Voltage	230 V
Speed	3450 rpm	Service Factor	1
Frame	56H	Enclosure	Drip Proof
Thermal Protection	Manual	Ambient Temperature	40 °C
Frequency	60 Hz	Current	19.6 A
Power Factor	0	Duty	Continuous
Insulation Class	F	KVA Code	E
Drive End Bearing Size	6205	Opp Drive End Bearing Size	6203
UL	Recognized	CSA	Y
CE	N		

Technical Specifications

Electrical Type	Capacitor Start Capacitor Run	Starting Method	Across The Line
Poles	2	Rotation	Clockwise/Counterclockwise
Motor Orientation	Any	Drive End Bearing	Ball
Opp Drive End Bearing	Ball	Frame Material	Rolled Steel
Shaft Type	NEMA 56H	Shaft Diameter	0.625 in
Outline Drawing	52A109641P3	Connection Drawing	52A105379AC

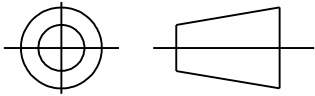
This is an uncontrolled document once printed or downloaded and is subject to change without notice. Date Created:11/13/2025

SHEET 4

REV 4

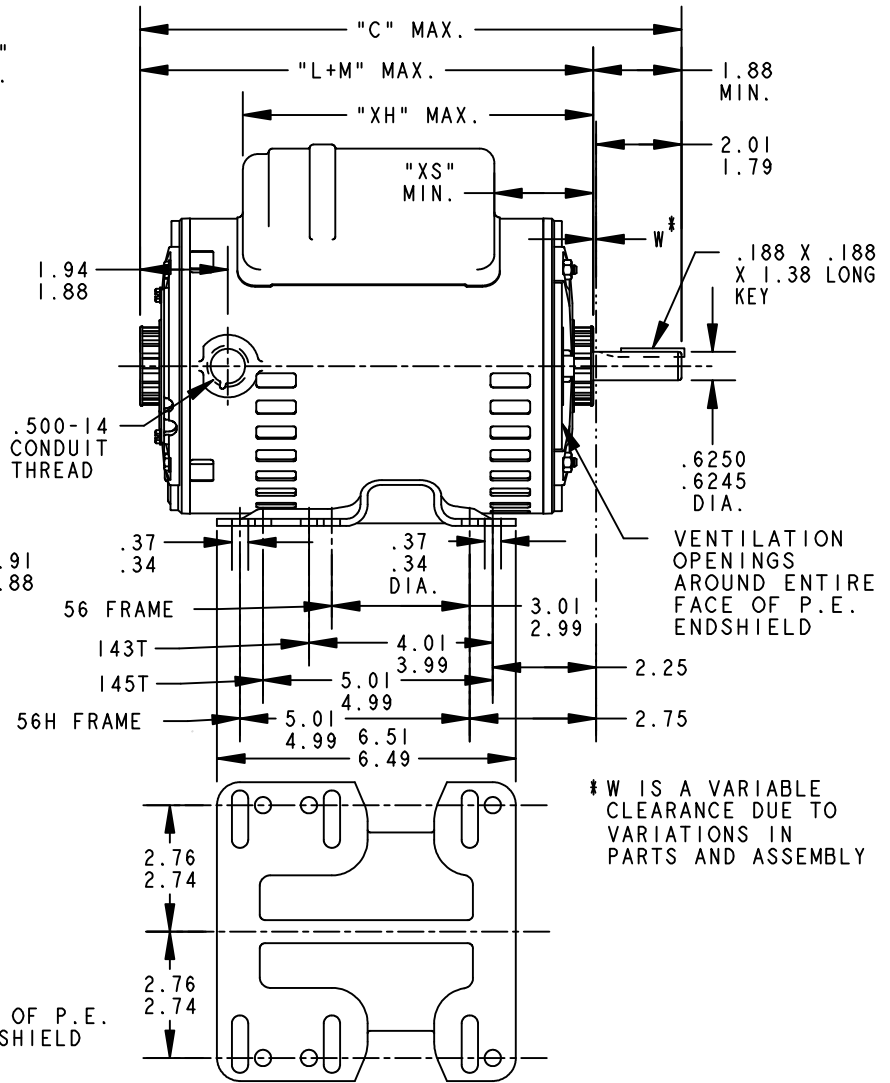
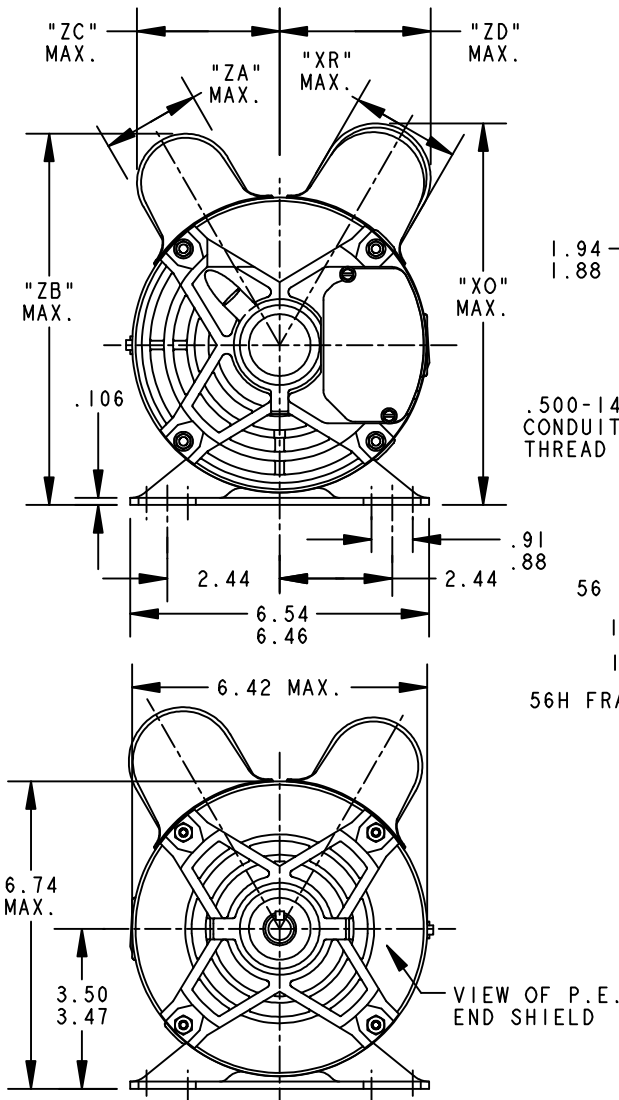
SIZE DRAWING NO. A

THIRD ANGLE PROJECTION



REVISIONS


REV.	DESCRIPTION	DATE	APPROVED
3	ADDED PART #3	03/01/07	MADHU
4	UPDATED AS PER SAMPLE REPORT DS-1914.	09/15/11	KARTHIK



* W IS A VARIABLE CLEARANCE DUE TO VARIATIONS IN PARTS AND ASSEMBLY

3	KCR	49	56H	15.04	13.04	9.74	8.39	2.40	4.08	2.40	8.39	3.46	3.33	10.71
2	KCR	49	56H	15.04	13.04	9.74	8.39	2.40	4.05	2.10	8.16	3.15	3.33	10.71
1	KCR	49	56H	13.96	11.96	9.67	8.39	2.40	4.00	2.10	8.16	3.15	3.33	9.63
P	TYPE	RBC SIZE	NEMA FR	"C"	"L+M"	"XH"	"XO"	"XR"	"XS"	"ZA"	"ZB"	"ZC"	"ZD"	MIN. SHELL

SIGNATURES		DATE
MODEL	M.D.PAPE	06/28/94
DETAIL	.	.
CHECKED	.	.
ENGRG	.	.
MFG	.	.
QUALITY	.	.
ISSUED	M.D.PAPE	06/28/94
SOLID MODEL: 52A109641		



REGAL-BELOIT CORPORATION

TITLE: **OUTLINE**

40 FRAME REDESIGN - GENERAL PURPOSE MOTOR - DRIP PROOF - BALL BEARING - WELDED BASE

SIZE: DRAWING **A** **52A109641** REV **4**

SCALE: 0.250 REF. No: . SHEET 1 of 1